



# ***PLAYBASE MANUAL***



# **BERG**



**WELCOME  
TO OUR  
WORLD**

**IT'S YOUR  
NOW**

**ME**

**S**

***HI BERGER*** This BERG will make you jump, ride and fly the outdoors. With fresh air in your hair and this BERG at your side, you feel strong wherever you fly. Feel confident, even when the road ahead is bumpy. Feel at home, the moment you step outside. Because you know the sky is yours. And you are about to touch it.

# **REGISTER YOUR BERG**



Register your new BERG product now, unlock free extras and become a true BERGER via

**[BERG.com/registration](https://BERG.com/registration)**

## **CONTENT**

**What is in the box?** 4  
*Make sure you have everything.*

**How to install it?** 9  
*Follow the steps, easy as that.*

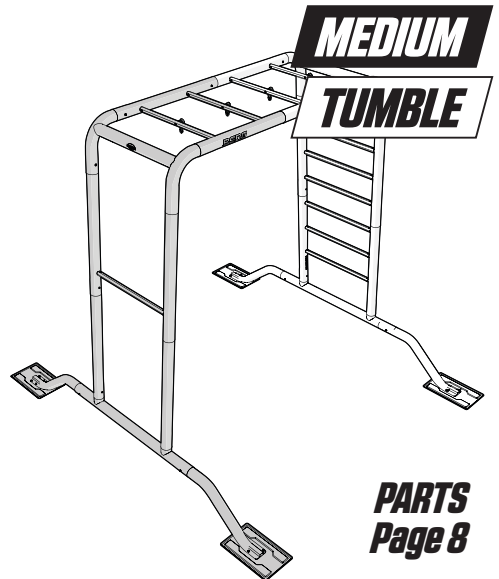
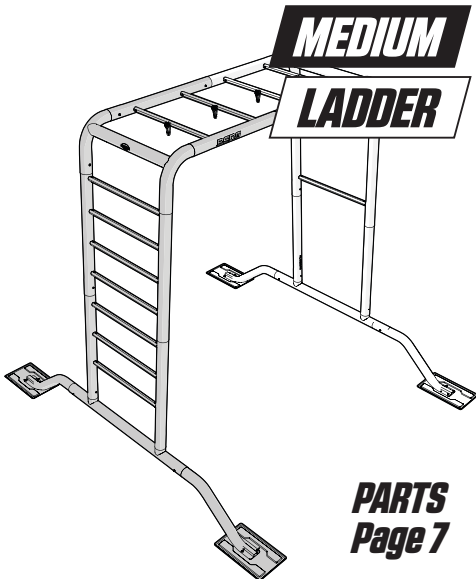
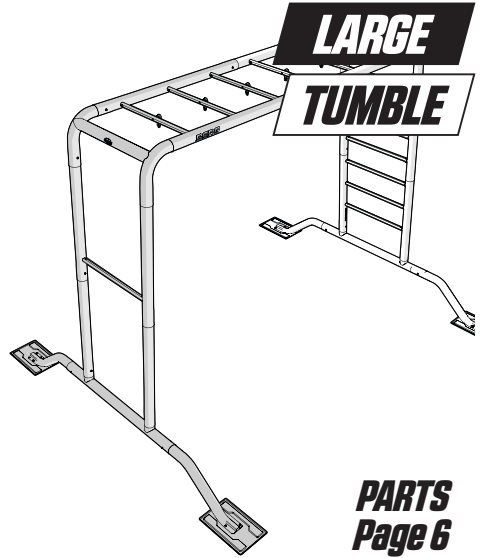
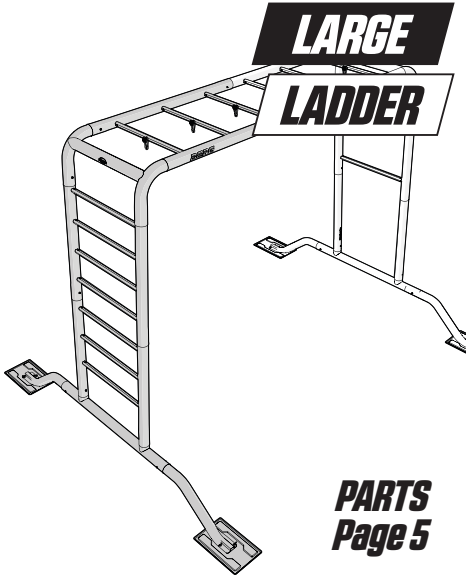
**What to know?** 23  
*Warnings, info and warranty.*

**Ready to go!**  
*The outdoors is yours. Enjoy it.*

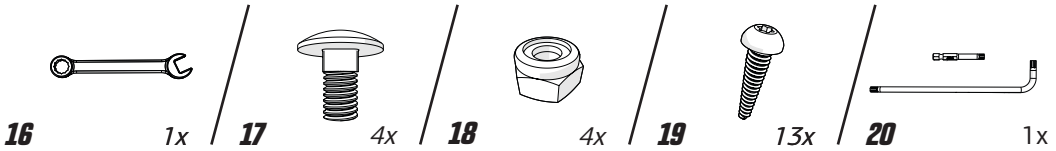
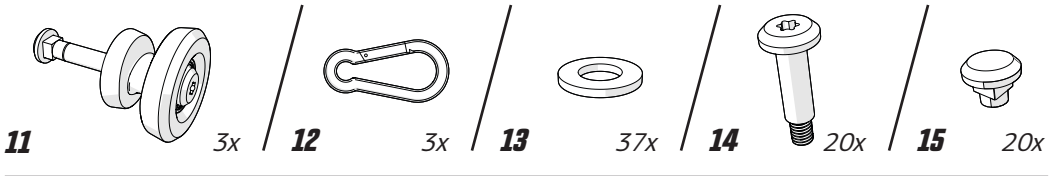
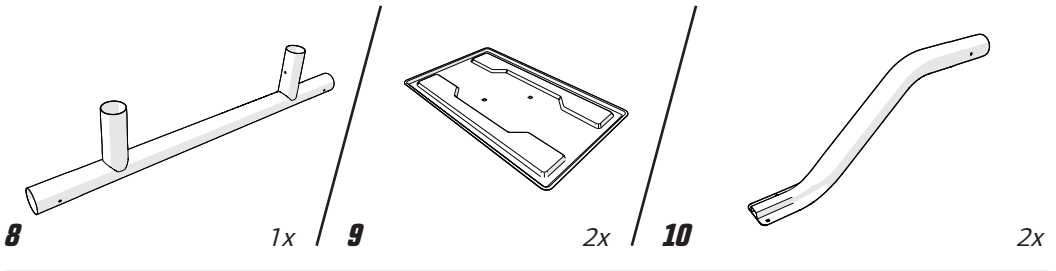
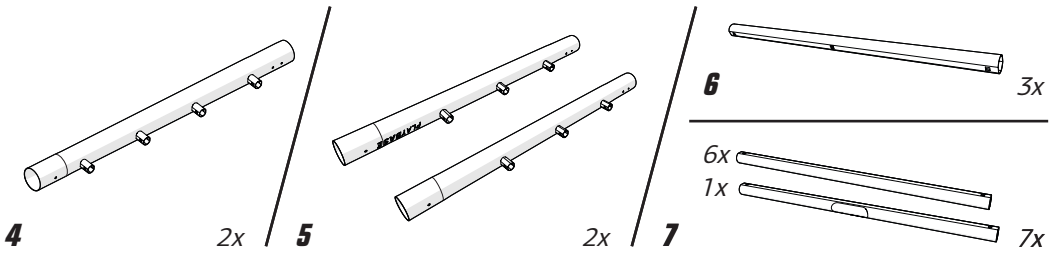
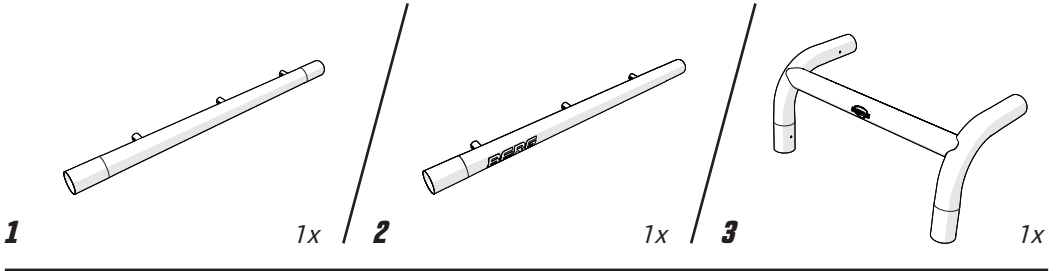
Although we know you can do it yourself, please read the manual carefully and check out our instruction videos on **[YouTube.com/BERG](https://YouTube.com/BERG)**



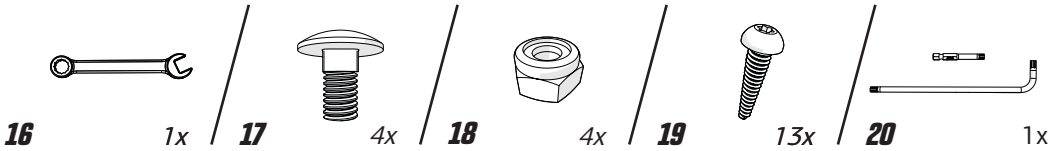
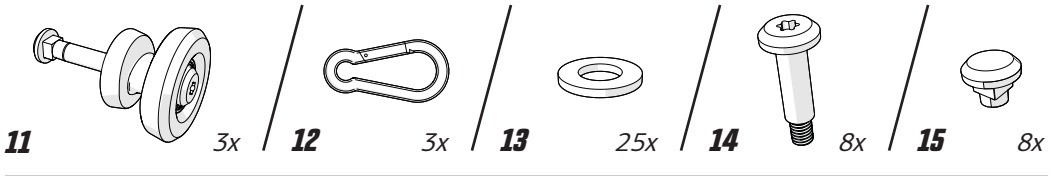
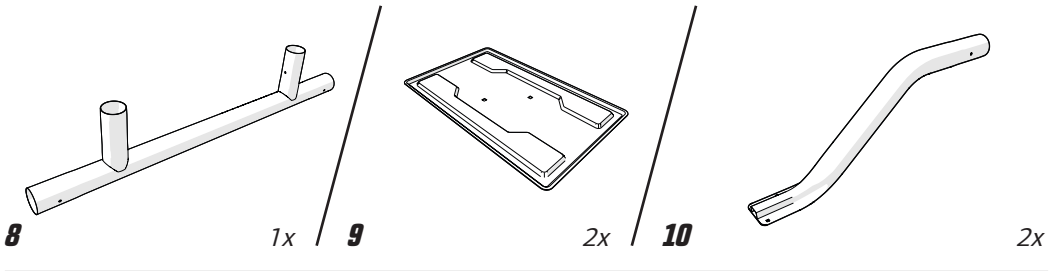
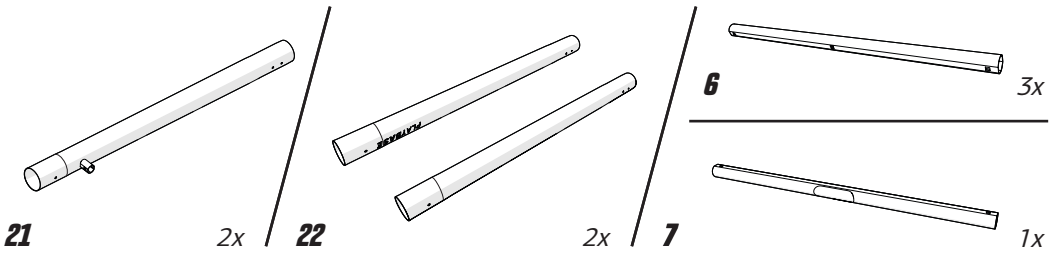
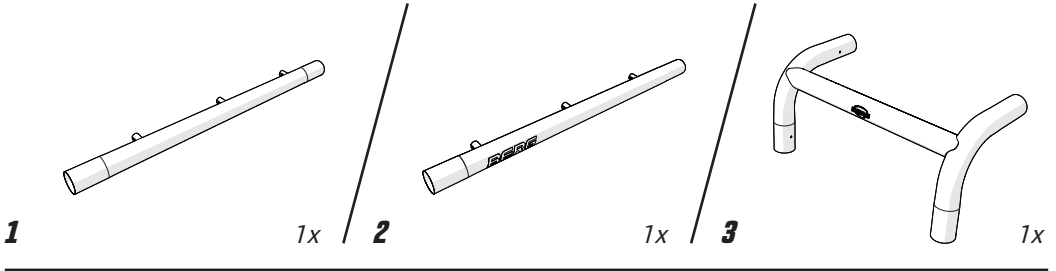
# UNPACKING



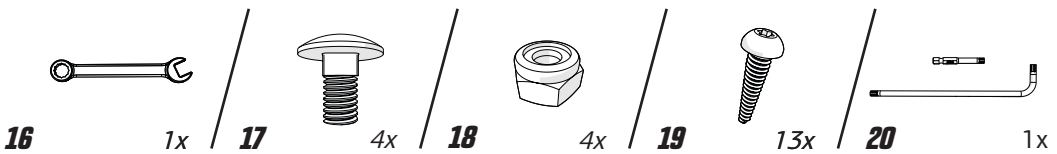
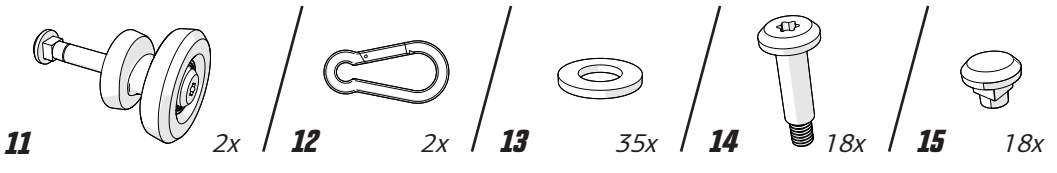
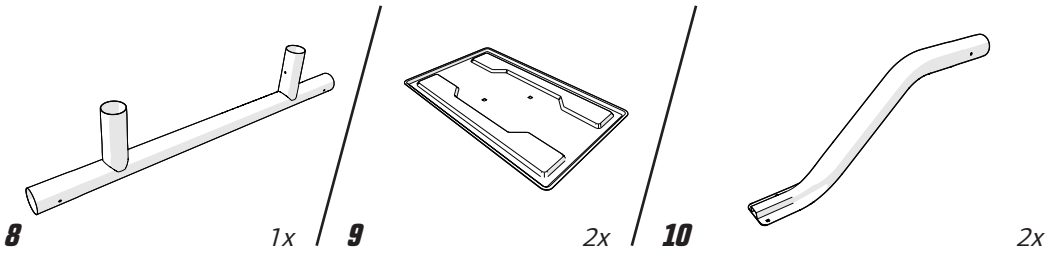
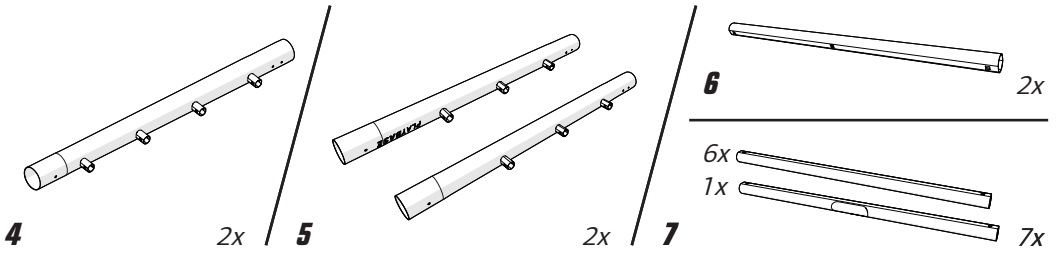
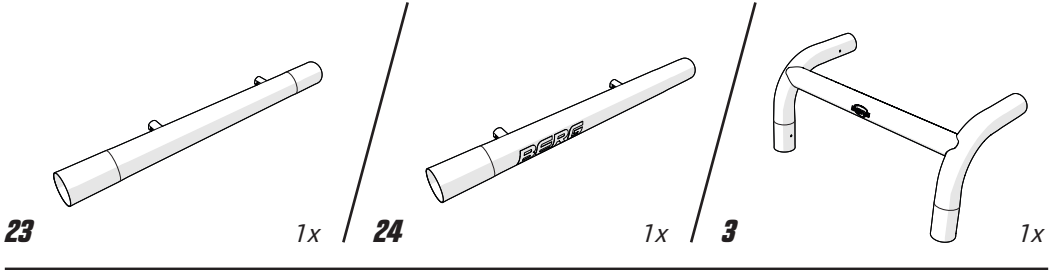
**20.12.00.00** **LARGE-LADDER**



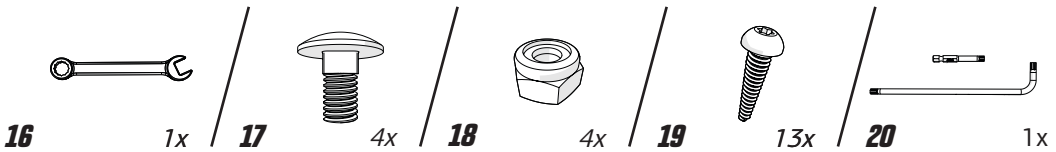
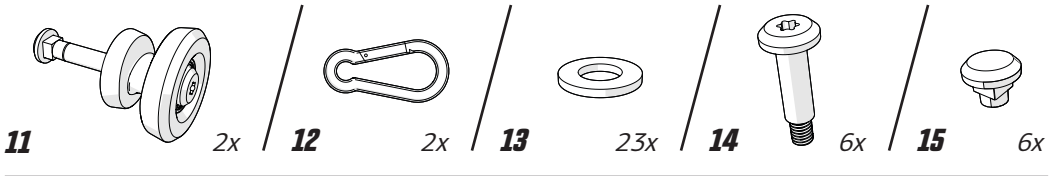
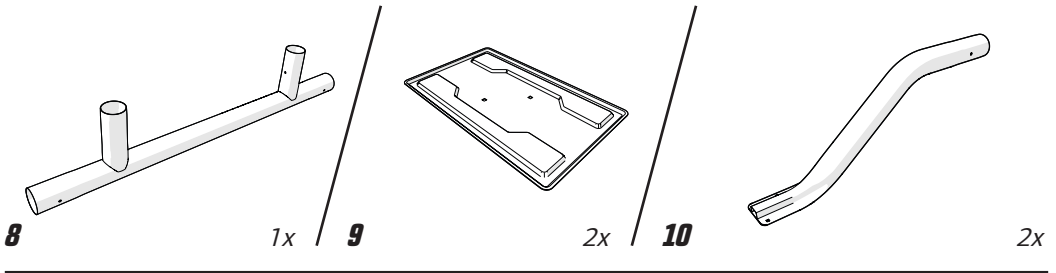
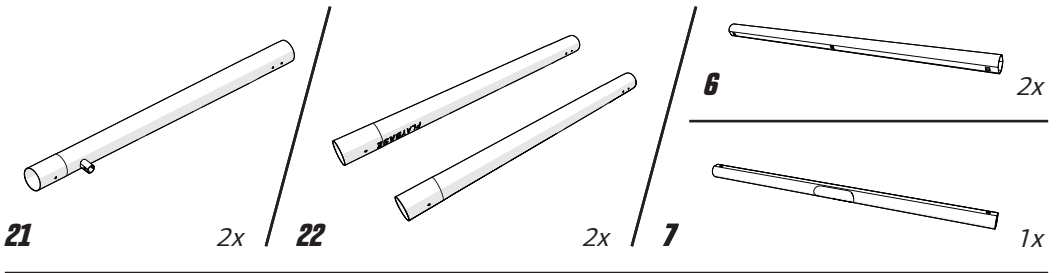
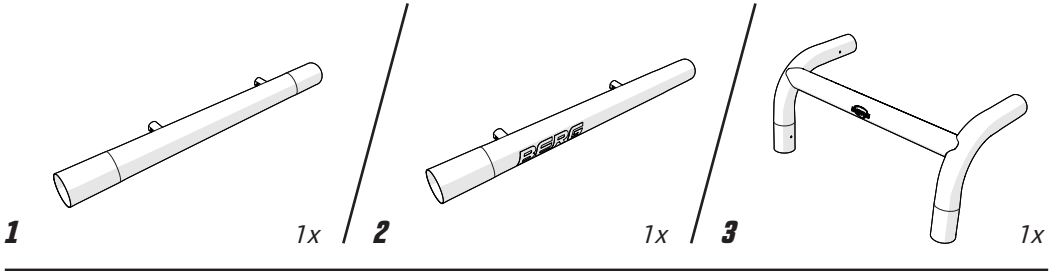
**20.12.01.00** **LARGE-TUMBLE**



# 20.12.02.00 MEDIUM-LADDER



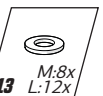
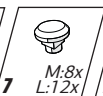
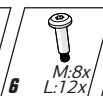
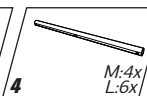
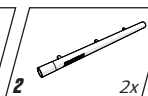
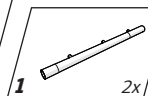
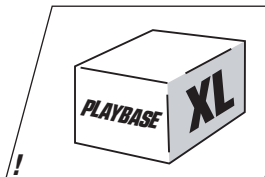
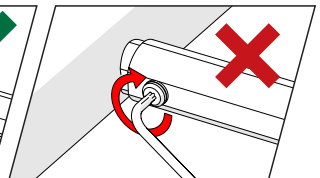
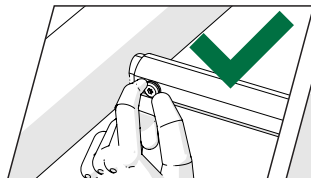
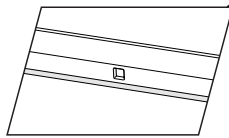
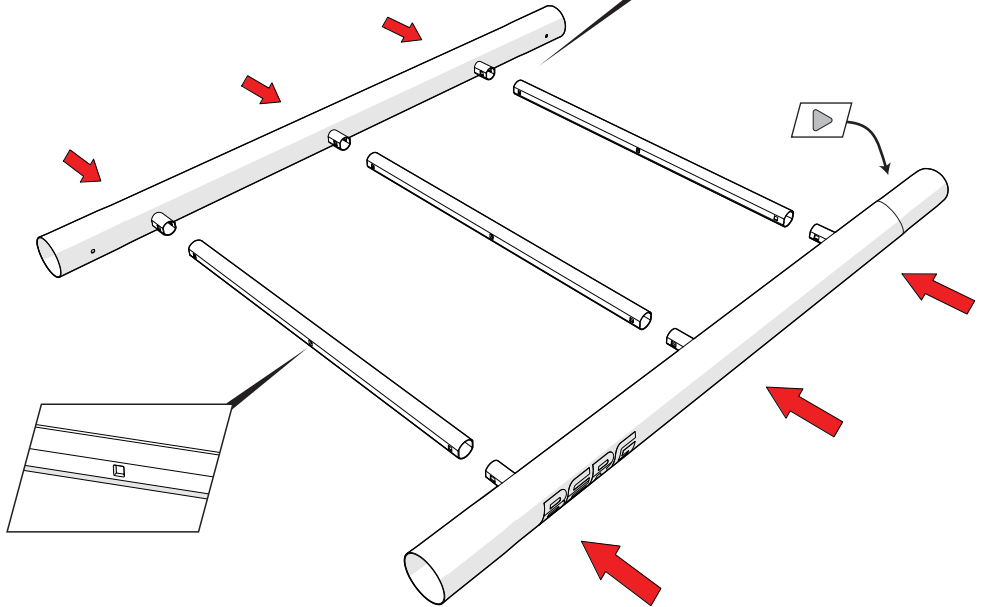
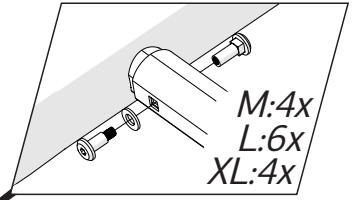
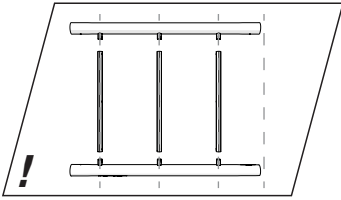
**20.12.03.00 MEDIUM - TUMBLE**



# INSTALLATI

1

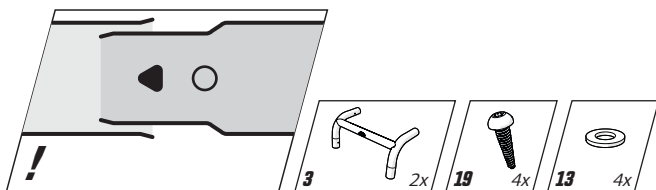
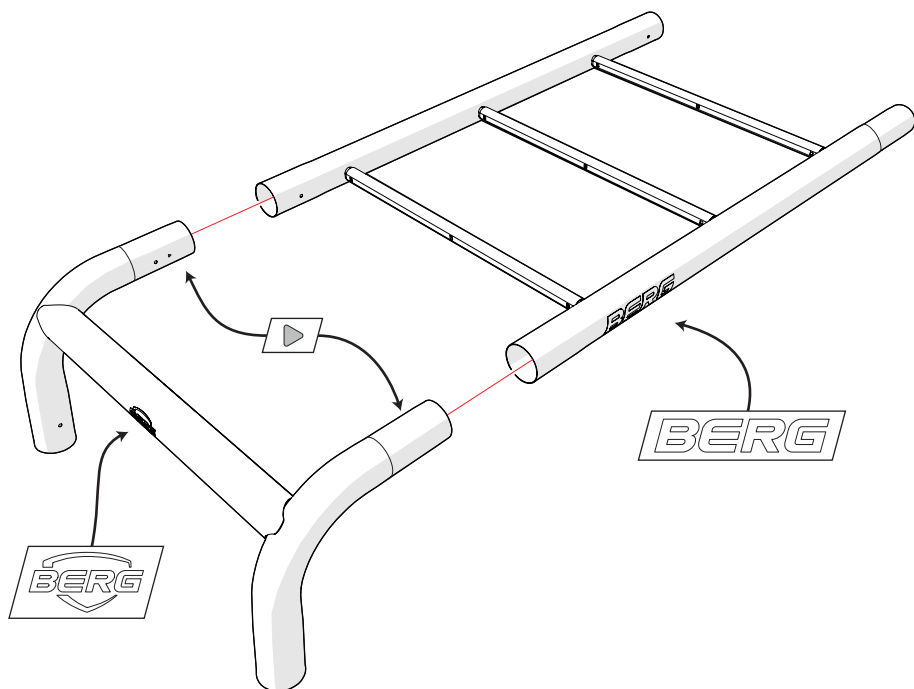
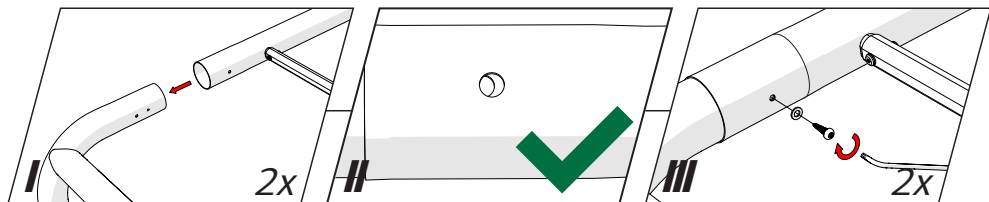
TOP FRAME 2x + XL FRAME 1x



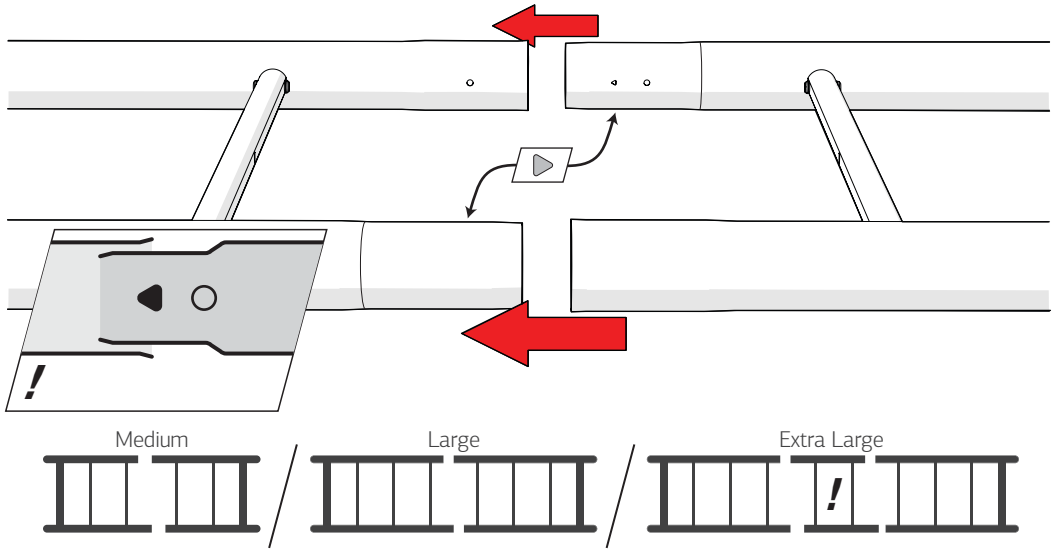
# ION

2

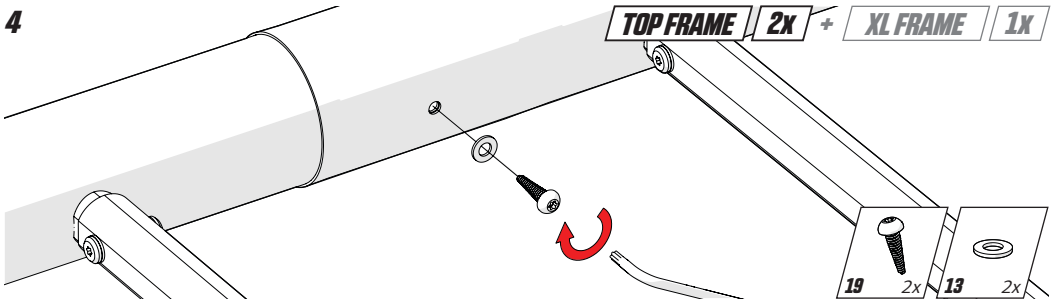
2x



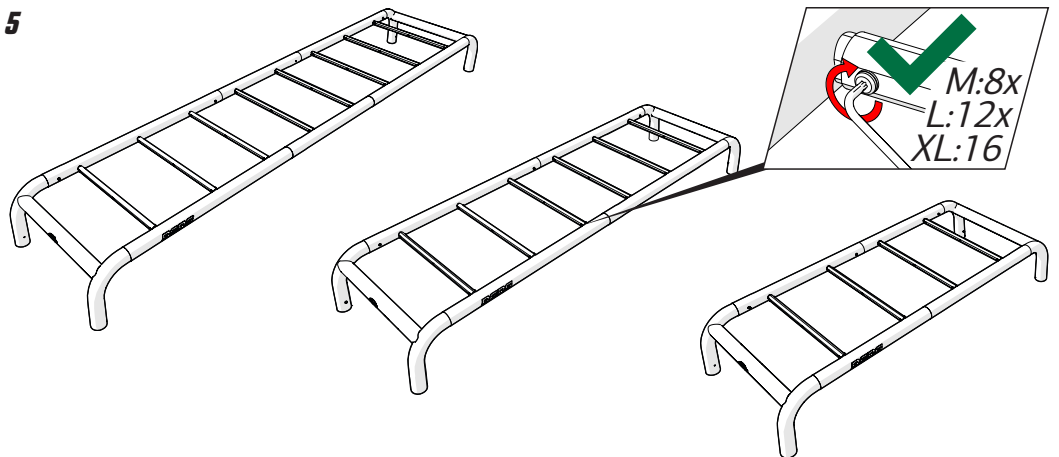
3



4

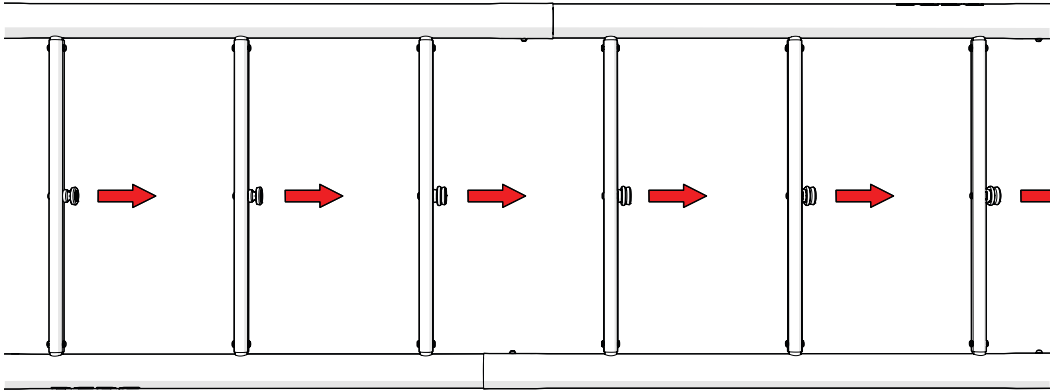
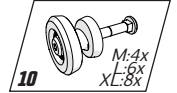
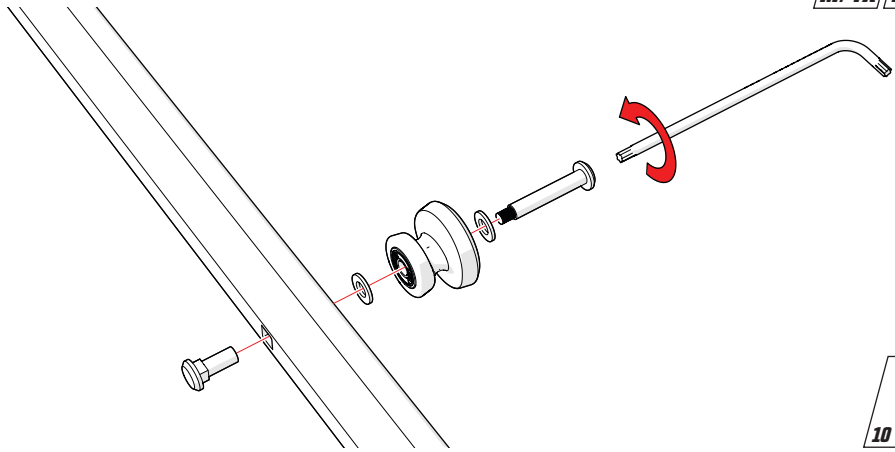


5

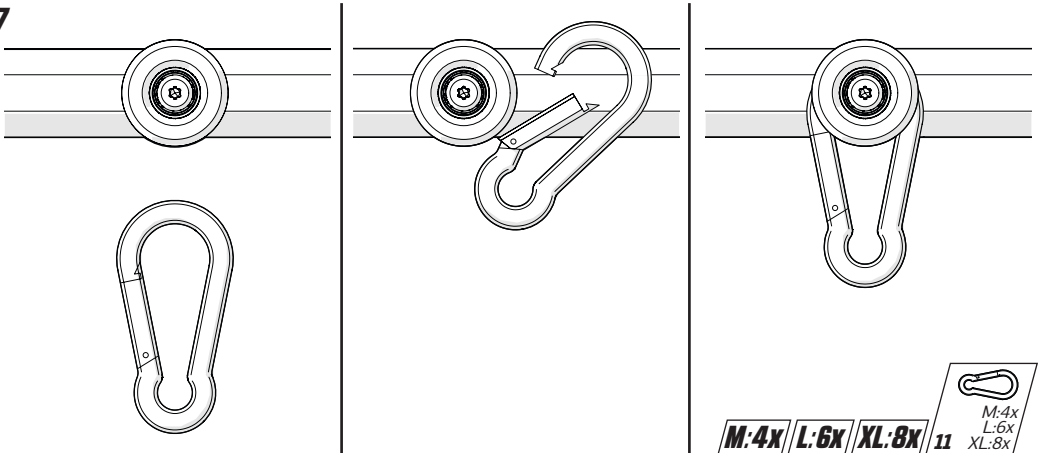


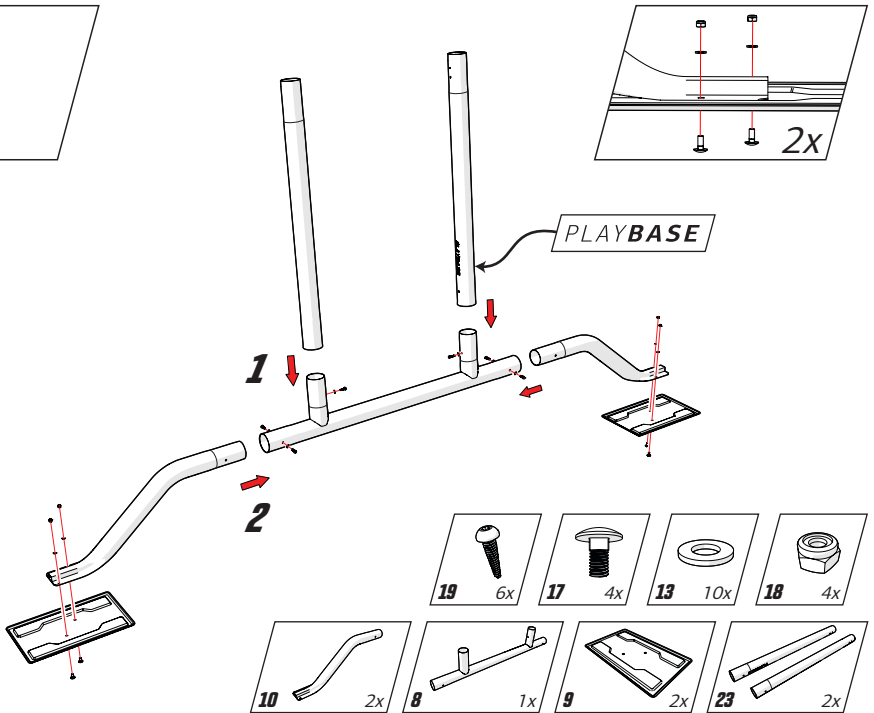
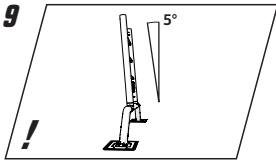
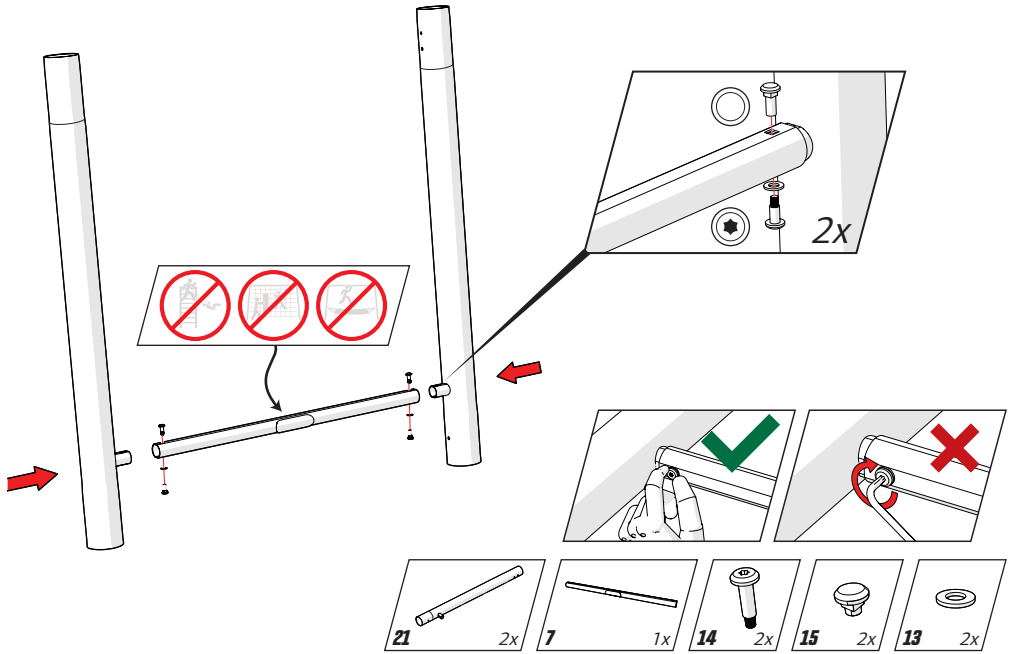
6

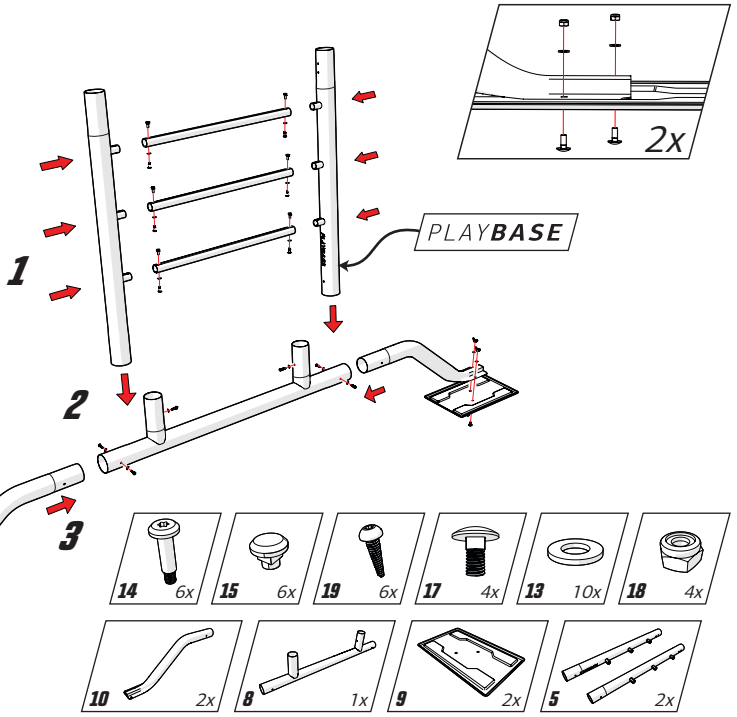
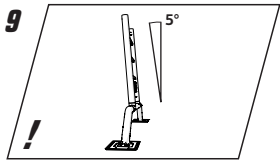
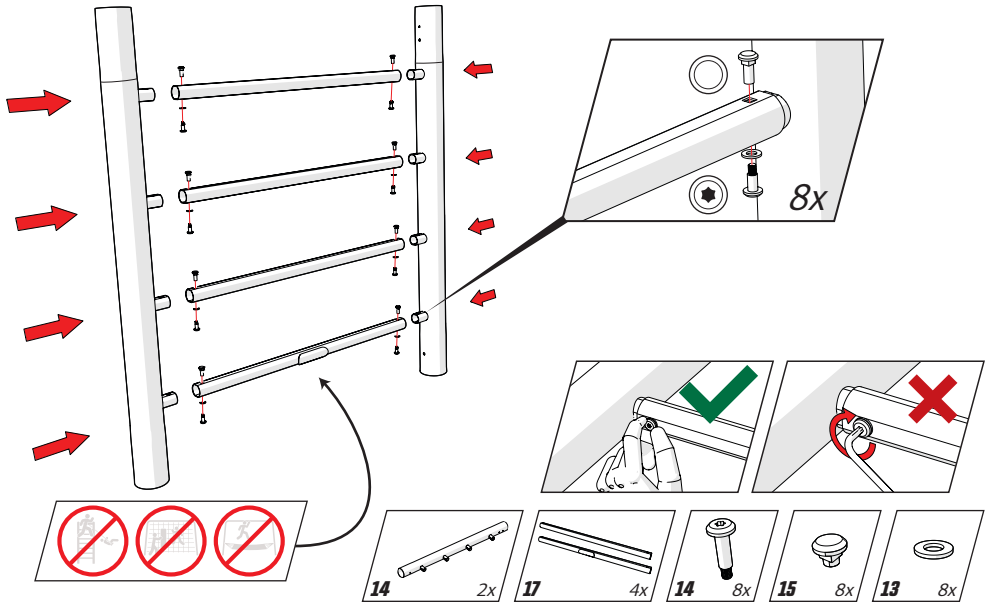
M:4x | L:6x | XL:8x

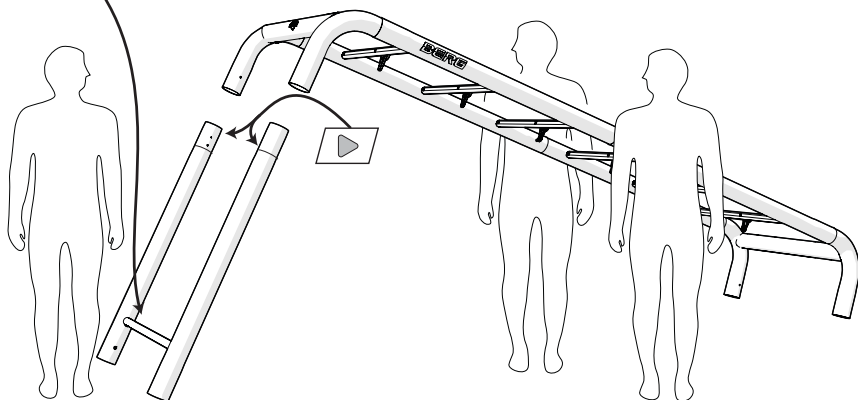
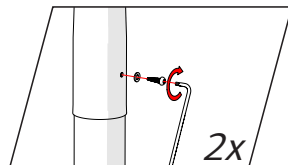


7









Make sure the warnings stickers are facing outwards. **EN**

Zorg ervoor dat de waarschuwingsstickers naar buiten gericht zijn. **NL**

Achten Sie darauf, dass die Warmaufkleber nach außen gerichtet sind. **DE**

Assurez-vous que les autocollants d'avertissement sont bien lisibles de l'extérieur. **FR**

Asegúrate de que las adhesivos de advertencia estén orientadas hacia afuera. **ES**

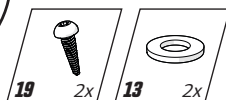
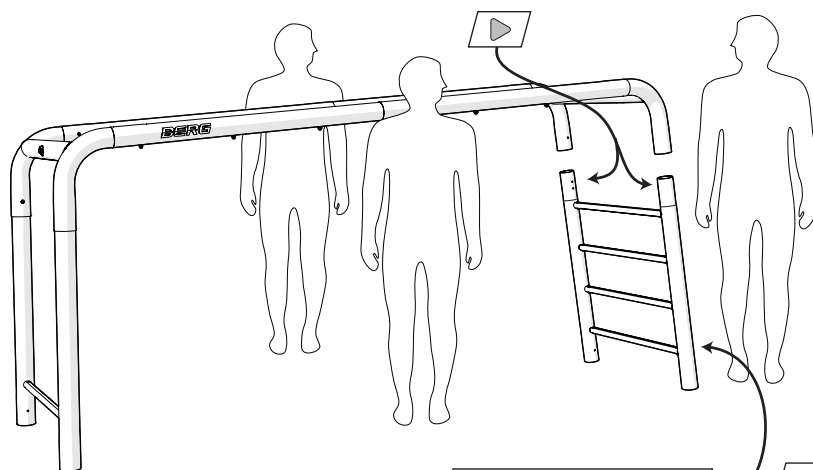
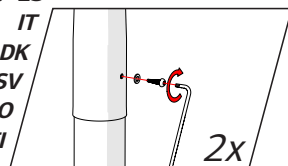
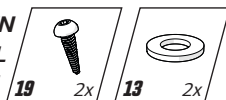
Accertati che gli adesivi di avvertimento siano rivolti verso l'esterno. **IT**

Sørg for, at advarselsmærkater vender udad. **DK**

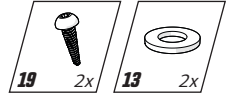
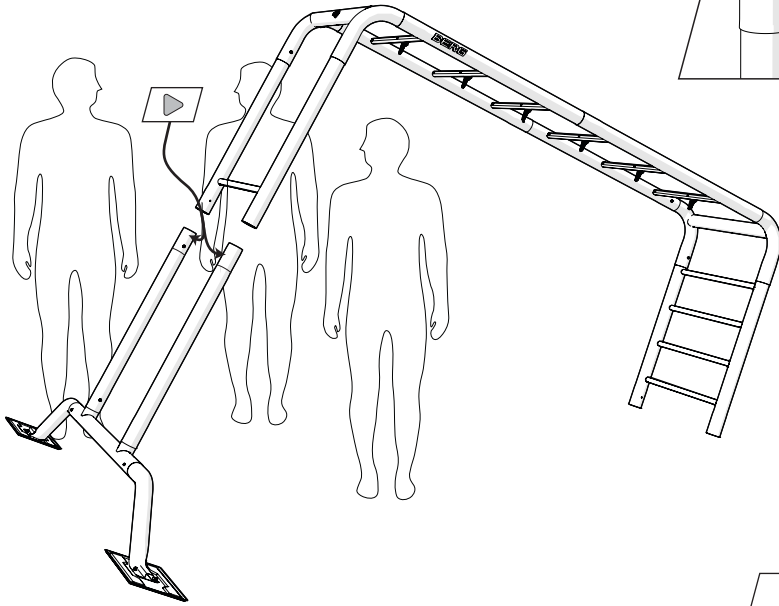
Se till att varningsdekaler är på utsidan. **SV**

Sørg for at advarselsklistremerker vender utover. **NO**

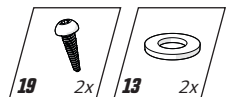
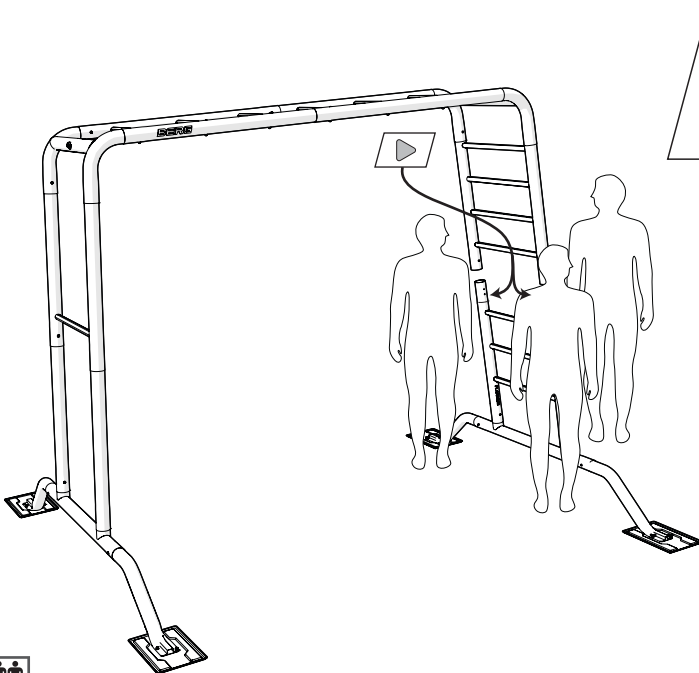
Varmista, että varoitukset ovat ulospäin. **FI**

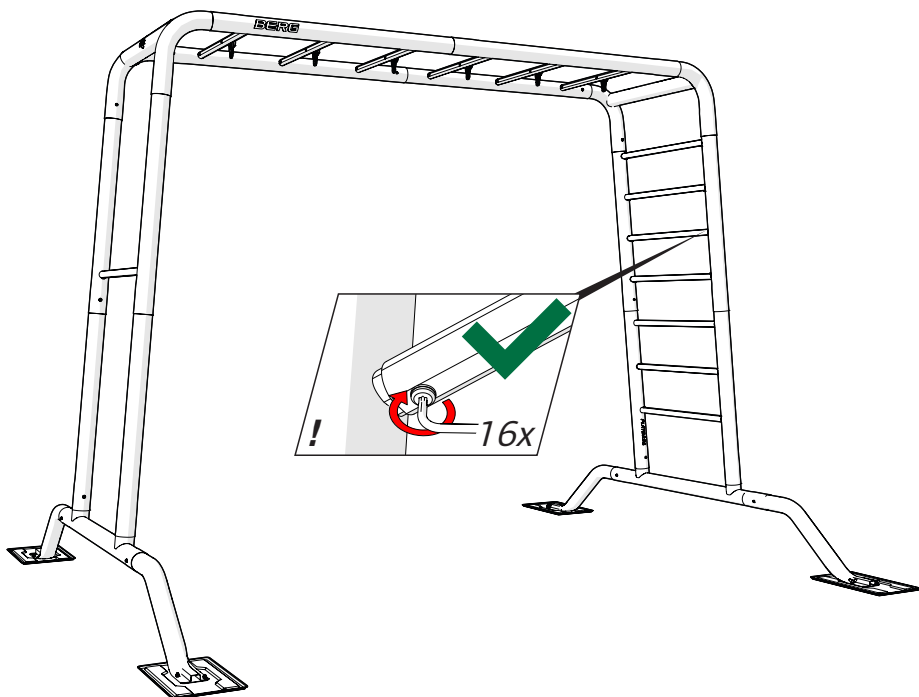


12

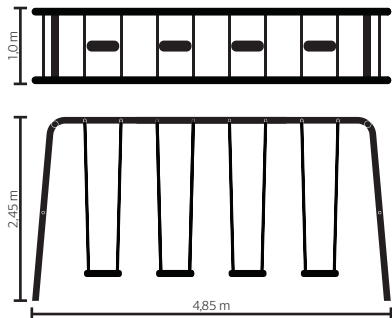


13

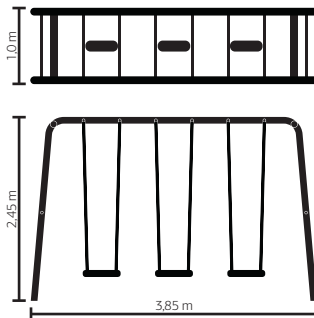




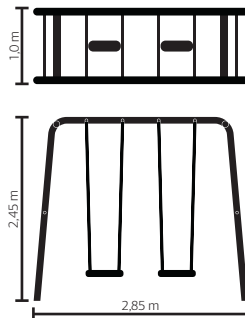
Extra Large

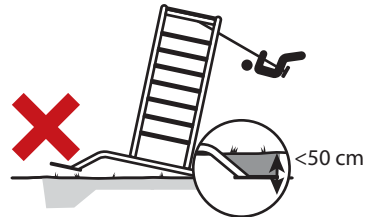
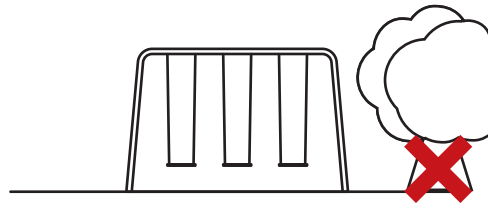
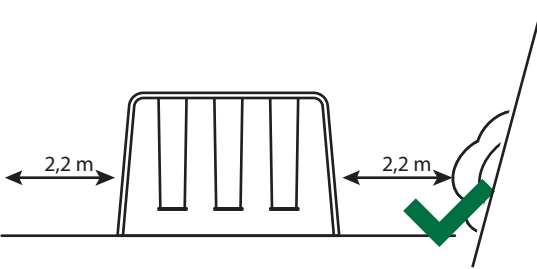
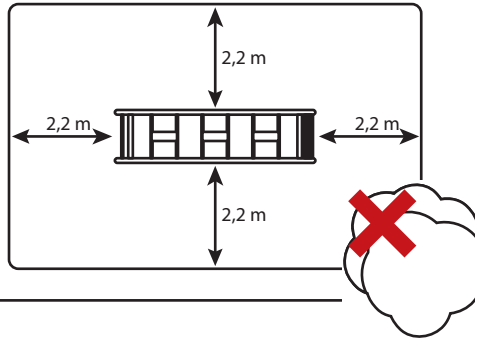
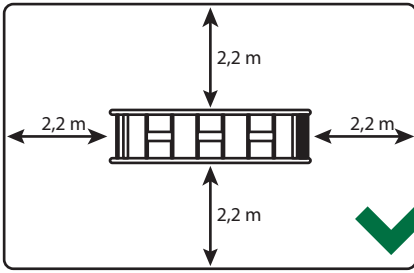
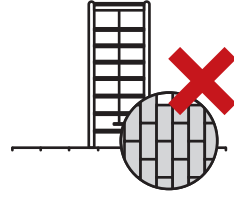
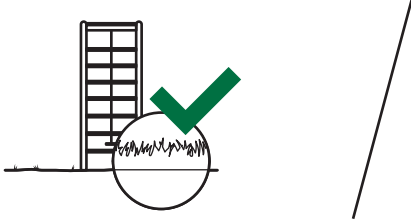
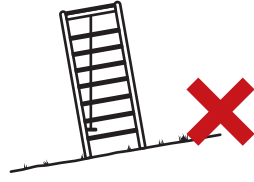
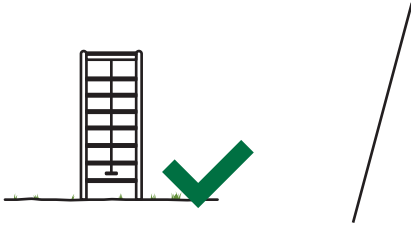


Large

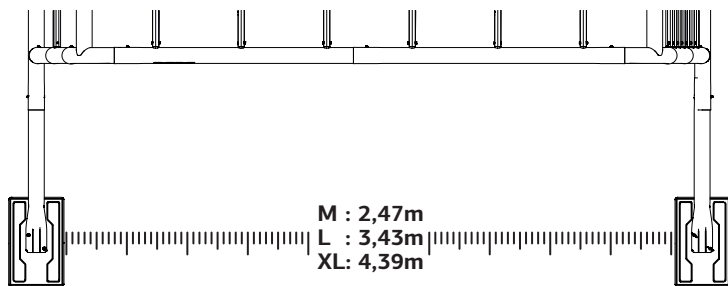


Medium

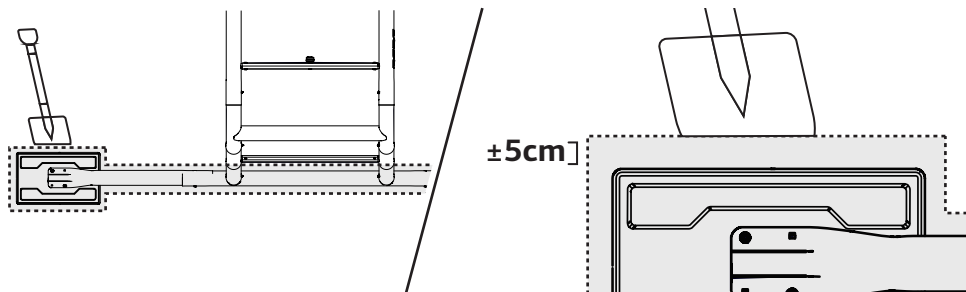




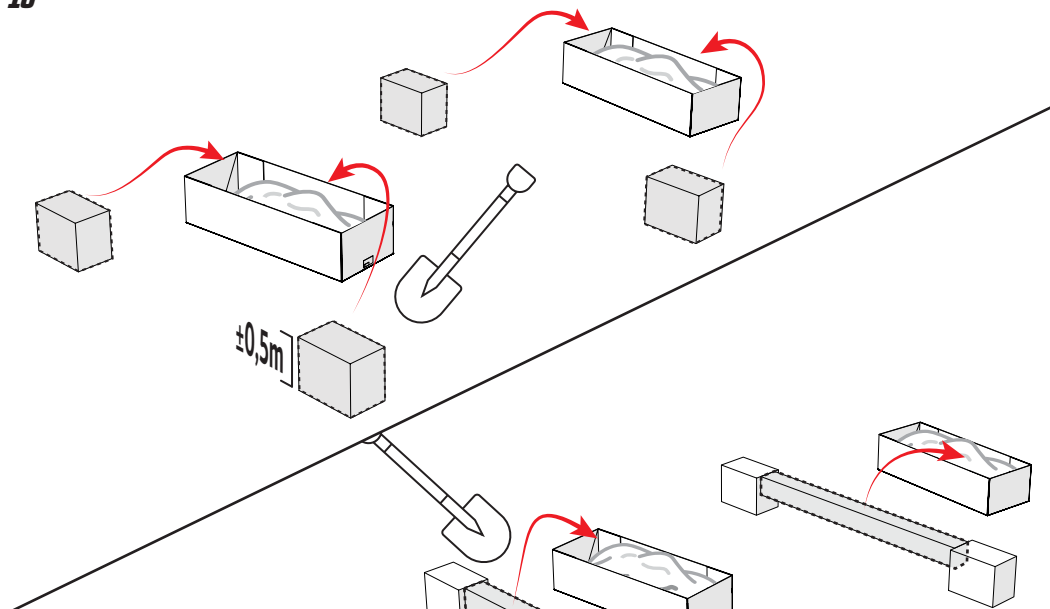
16



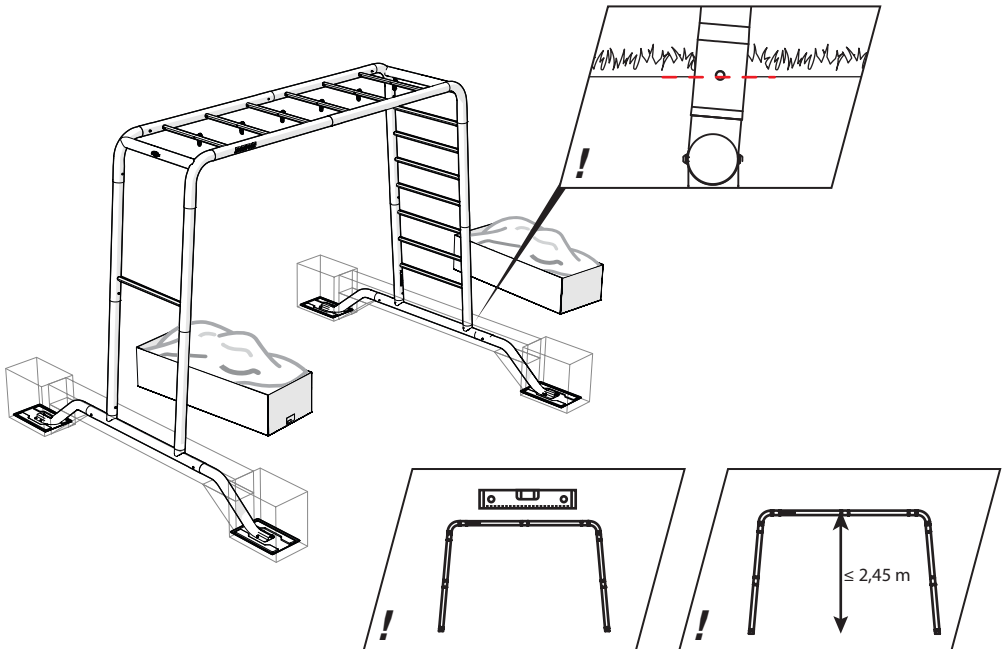
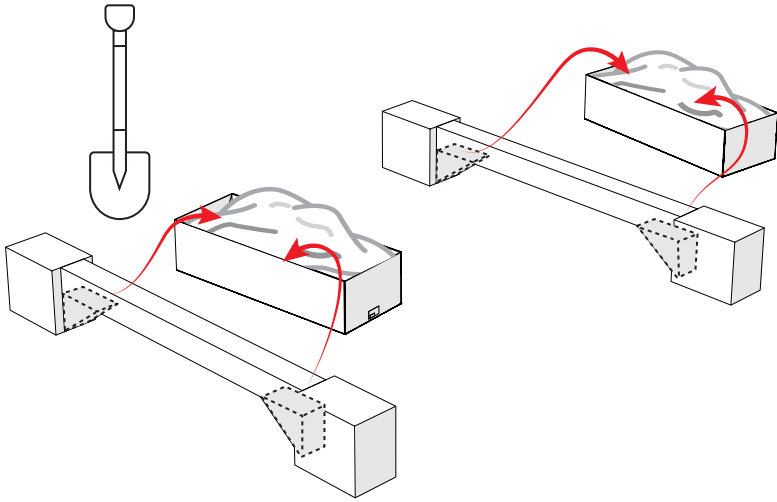
17

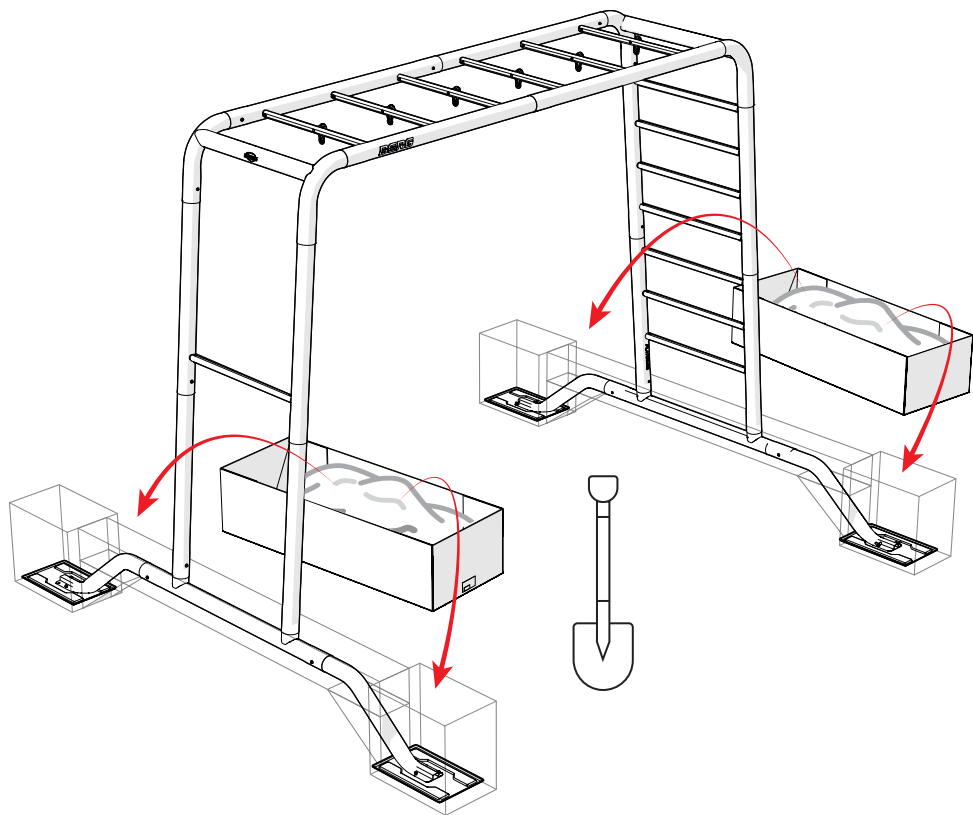


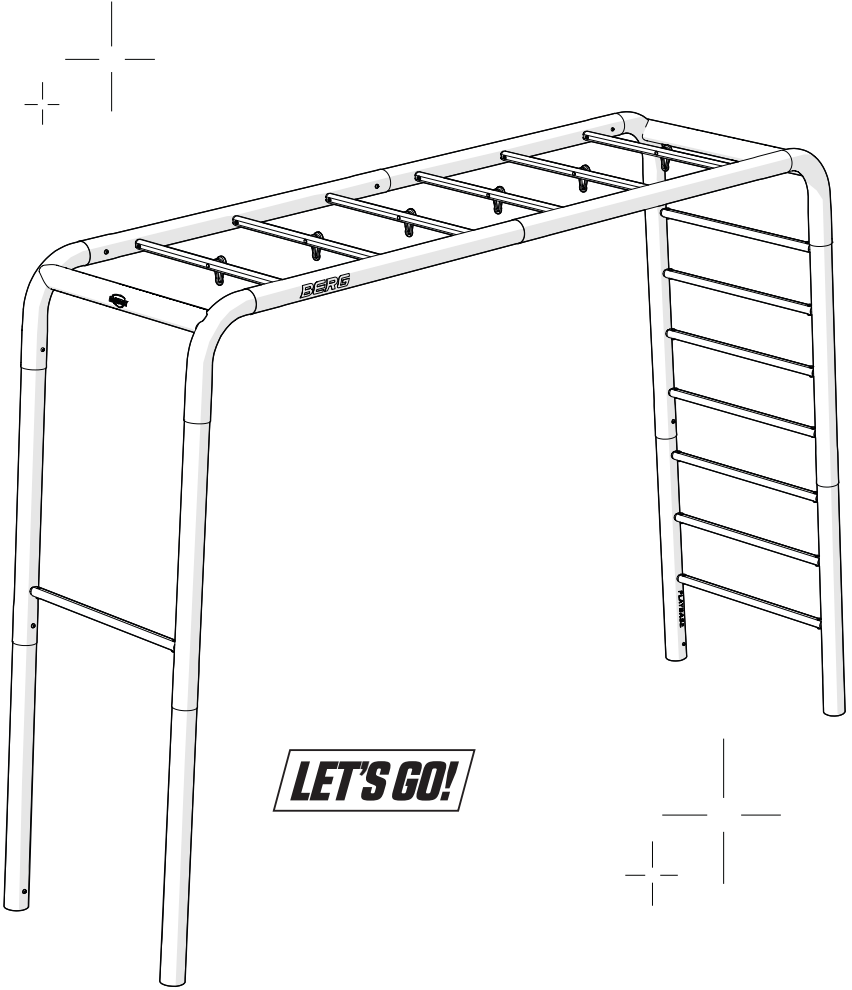
18



19

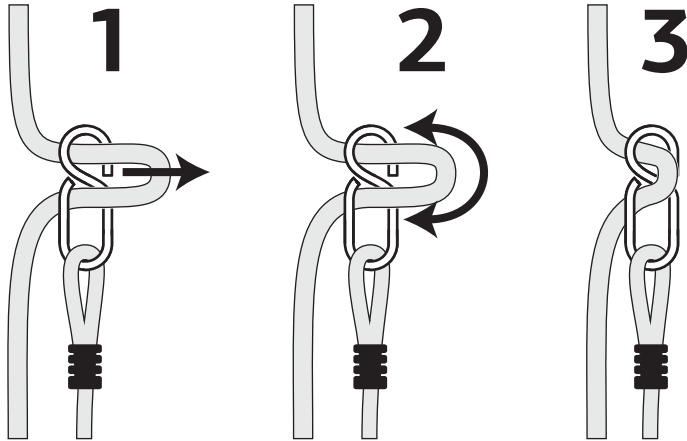






**LET'S GO!**

## SWING HEIGHT ADJUSTMENT



**EN** Adjusting eight without lip. Ensure that the product hangs horizontal after adjustment of the ropes.

**NL** Stelacht zonder lip. Zorg ervoor dat het product horizontaal hangt na het verstellen van de touwen.

**DE** Einstellen der Achterhaken ohne Dorn. Stellen Sie sicher, dass das Produkt nach dem Einstellen der Seile horizontal hängt.

**FR** Ajuster les fixations sans les brides. Assurez-vous que le produit est suspendu horizontalement après le réglage des cordes.

**ES** Ajuste de altura sin borde. Asegúrate de que el producto cuelgue horizontalmente después de ajustar las cuerdas.

**IT** Regolazione otto senza bordo. Verifica che il prodotto penda orizzontalmente dopo aver regolato le corde.

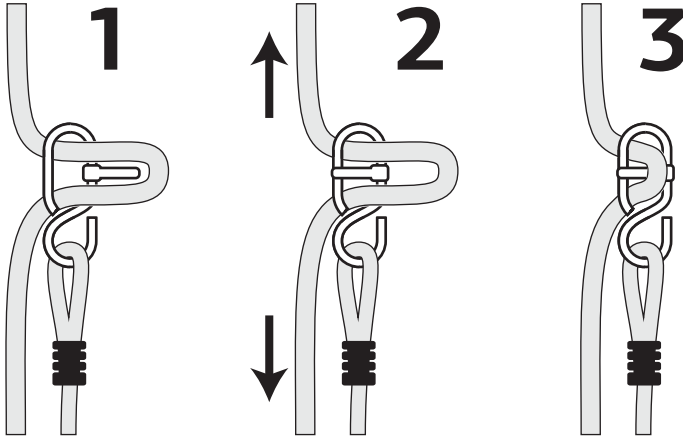
**DK** Justering af otte uden læbe. Sørg for, at produktet hænger vandret efter justering af rebene.

**SV** Justering av åtta utan läpp. Se till att produkten hänger horisontalt sedan repen justerats.

**NO** Justering av åtte uten leppe. Sørg for at produktet henger vannrett etter justering av tauene.

**FI** Korkeuden säätäminen ilman reunusta. Varmista, että tuote roikkuu vaakatasossa köysien säätämisen jälkeen.

# CLIMBING NET INSTALLATION



**EN** Adjusting eight with lip. Ensure that the climbing net ends are smaller than 10 cm after installation.

**NL** Stelacht met lip. Zorg ervoor dat de uiteinden van het klimnet korter zijn dan 10 cm na het installeren.

**DE** Einstellen der Achterhaken mit Dorn. Achten Sie darauf, dass die Kletternetzenden nach der Montage kürzer als 10 cm sind.

**FR** Ajuster les fixations avec les brides. Veillez à ce que les extrémités du filet d'escalade ne dépassent pas 10 cm après l'installation.

**ES** Ajuste de altura sin borde. Asegúrate de que los extremos de la red de escalada midan menos de 10 cm después de la instalación.

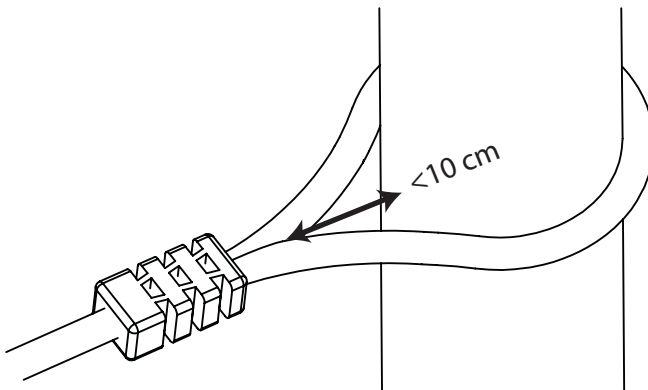
**IT** Regolazione otto con bordo. Verifica che le estremità della rete da arrampicata siano inferiori a 10 cm dopo l'installazione.

**DK** Justering af otte med læbe. Sørg for, at enderne på klatrenettet er mindre end 10 cm efter installationen.

**SV** Justering av åtta med läpp. Se till att lätternätets ändrar är mindre än 10 cm efter montering.

**NO** Justering av åtte med leppe. Sørg for at klatrenettene er mindre enn 10 cm etter installasjon.

**FI** Korkeuden säätäminen reunuksen kanssa. Varmista, että kiipeilyverkon päät ovat alle 10 cm pituiset asennuksen jälkeen.



# INTENDED USE

## EN Attention!

This manual is suitable for several types of use of the Playbase. Please check your intended use and when reading the manual, pay attention to which information applies to your Playbase combination.

See the attached document for approved combinations. If you are not sure if your own combination is confirm guidelines, please contact a BERG dealer.

## NL Let op!

Deze handleiding is geschikt voor verschillende soorten gebruik van de Playbase. Ga bij het lezen van de handleiding na welk gebruik je voor ogen hebt, let op welke informatie van toepassing is op uw Playbase-combinatie.

Zie het bijgevoegde document voor goedgekeurde combinaties. Als je niet zeker weet of je eigen combinatie voldoet aan de voorschriften, neem dan contact op met een BERG dealer.

## DE Achtung!

Dieses Handbuch eignet sich für verschiedene Arten der Verwendung der Playbase. Bitte prüfen Sie Ihren Verwendungszweck und achten Sie beim Lesen der Anleitung darauf, achten Sie darauf, welche Informationen für Ihre Ihre Playbase-Kombination zutreffen.

Im beigefügten Dokument finden Sie die zugelassenen Kombinationen. Wenn Sie nicht sicher sind, ob Ihre eigene Kombination den Vorschriften entspricht, wenden Sie sich bitte an einen BERG-Händler.

## FR Attention!

Ce manuel est adapté à plusieurs types types d'utilisation du Playbase. Veuillez vérifier l'utilisation que vous souhaitez en faire et, lorsque vous lisez le manuel, faites attention aux informations qui s'appliquent à votre combinaison de Playbase. Consultez le document ci-joint pour connaître les combinaisons approuvées. Si vous n'êtes pas sûr que votre propre combinaison soit conforme aux directives, veuillez contacter un revendeur BERG.

## ES ¡Atención!

Este manual es adecuado para varios tipos de uso de la Playbase. Compruebe el uso previsto y, al leer el manual, preste atención a la información que se aplica a su combinación Playbase. Consulte en el documento adjunto las combinaciones aprobadas. Si no está seguro de si su propia combinación cumple las directrices, póngase en contacto con un distribuidor de BERG.

## IT Attenzione!

Questo manuale è adatto a diversi tipi di utilizzo della Playbase. Verificate l'uso che intendete farne e, leggendo il manuale, prestate attenzione a quali informazioni si applicano alla vostra combinazione di Playbase. Consultare il documento allegato per le combinazioni approvate. Se non si è sicuri che la propria combinazione sia conforme alle linee guida, contattare un rivenditore BERG.

## DA Vær opmærksom!

Denne manual er velegnet til flere typer brug af Playbase. Tjek venligst din påtænkte brug, og når du læser manualen, skal du være opmærksom på, hvilke oplysninger der gælder for din Playbase-kombination. Se det vedhæftede dokument for godkendte kombinationer. Hvis du ikke er sikker på, om din egen kombination bekræfter retningslinjerne, bedes du kontakte en BERG-forhandler.

## SV Observera!

Denna bruksanvisning är avsedd för flera olika typer av användning av Playbase. Kontrollera din avsedda användning och var uppmärksam på vilken information som gäller för din Playbase-kombination när du läser manualen. Se det bifogade dokumentet för godkända kombinationer. Om du inte är säker på om din egen kombination uppfyller riktlinjerna, kontakta en BERG-återförsäljare.

## SV OBS!

Denne håndboken er egnet for flere typer typer bruk av Playbase. Kontroller hva du skal bruke den til, og vær oppmerksom på hvilken informasjon som gjelder for din Playbase-kombinasjon når du leser håndboken. Se vedlagte dokument for godkjente kombinasjoner. Hvis du er usikker på om din egen kombinasjon er i samsvar med retningslinjene, kan du kontakte en BERG-forhandler.

## FI Huomio!

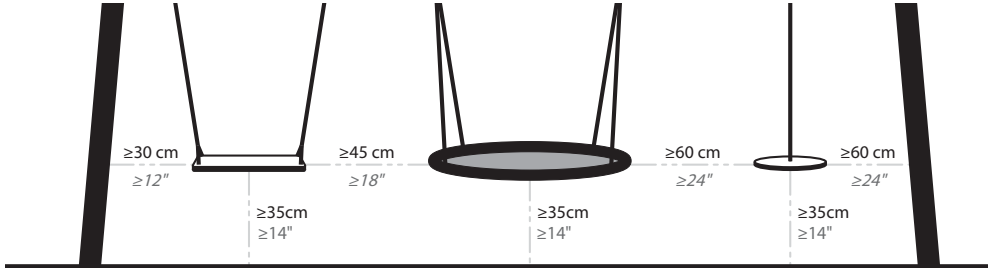
Tämä käyttöohje soveltuu useille Playbasen erityyppiseen käyttöön. Tarkista käyttötarkoituksesi ja kiinnitä käyttöohjetta lukiessasi huomiota siihen, mitkä tiedot koskevat Playbase-yhdistelmäsi.

Katso ohjeesta asiakirjasta hyväksytyt yhdistelmät. Jos et ole varma, onko oma yhdistelmäsi ohjeiden mukainen, ota yhteyttä BERG-jälleenmyyjään.

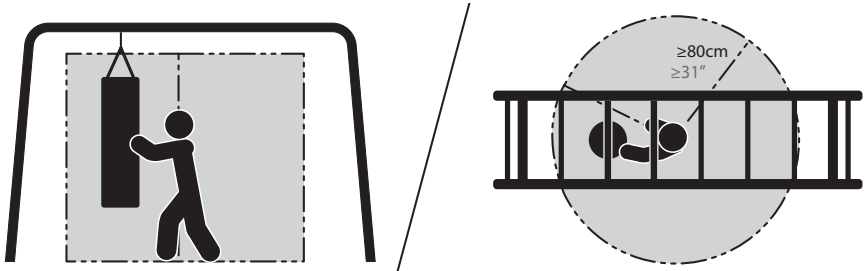
# USE

## Safe area of use

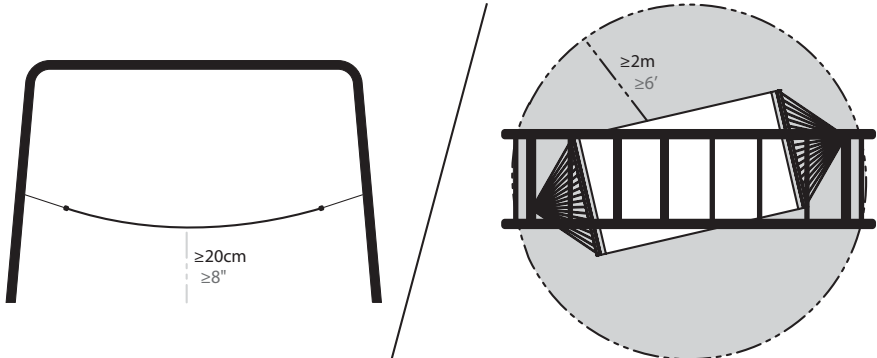
### Minimal clearance for *Play*



### Minimal clearance for *Sports*



### Minimal clearance for *Lounge*



# ENGLISH

**Attention!** This manual is suitable for several types of products. When reading the manual, pay attention to which information applies to your product.

## Warnings

### *General warnings:*

- The product should be assembled in accordance with the assembly instructions.
- Adult assembly required.
- Read instructions prior to first use and keep for future reference.
- For domestic use only.
- For outdoor use only.

- Falling hazard - frame height of 245 cm (8').
- Choking hazard - small parts in its unassembled state.
- Strangulation hazard - loose ropes can cause strangulation.

- The maximum user weight on the product is 100 kg (220 lbs).
- The maximum load for the entire product is 400 kg (880 lbs).
- The maximum user weight per accessory is indicated in that particular product manual.

- Usage of the product while under the influence of alcohol or drugs is prohibited.
- The product can become hot in direct sunlight, be careful.
- Keep fire and other heat sources away from the product.
- Do not use the product when it is wet.
- Objects and other obstacles that can interfere with using the product should be prohibited from the area of use.

Only add the add-ons referred to on the added "Allowed Combinations" document to the frame. Do not combine products of other manufacturers with this product because they may create safety hazards.

### *Play warnings:*

- Not suitable for children under 3 years. Falling hazard – frame height of 245 cm. Strangulation hazard – loose ropes can cause strangulation. Choking hazard – small parts in its unassembled state. Continuous adult supervision required.
- The user age for the use of the BERG Playbase Baby seat (20.20.00.00) is 9 to 36 months.
- Continuous adult supervision required.
- It is prohibited to climb over the frame during all other activities on the product (e.g. climbing).



### *Sport warnings:*

- Suitable for children from 14 years and older or overall height more than 140 cm (4' 7").
- Only use this product when your own medical condition allows it to use it safe.
- Avoid over-exertion when using the equipment.
- Only use the boxing bag at positions where 80 cm (31") movement space can be met.
- It is prohibited to use the climbing net when training with the boxing bag.



### **Lounge warnings:**

- Continuous adult supervision required.
- Not suitable for children under 3 years
- Hammocks are not swing devices.
- It is forbidden to climb over the frame when a hammock is attached.



## **User guidelines**

BERG or the dealer cannot be held responsible for improper use of this product. For safety reasons, unless BERG-approved, modifications or changes to the product are prohibited.

Only use this product as instructed in this manual. Any unauthorized use could result in serious injury to the user or damage the product.

### **Safe area of use *General***

Check page 18 for additional illustrations.

- The product must be placed level, ensuring a minimum clearance of at least 2,2 meters from any structure or obstructions such as a fence, garage, house, overhanging branches, laundry lines or electrical wires.
- Place the product on an unpaved steady surface such as grass. Do not install your product over concrete, asphalt or any other hard surface.
- Objects and other obstacles that can interfere with using the product should be prohibited from the area of use.
- Position the product in a way that accessories (e.g. swings) are not oriented directly towards full exposure from the sun.

### **Safe installation**

It is prohibited to make other combinations than the prescribed combinations listed on our website and in the attached "Allowed Combinations". The product should be assembled in accordance with the assembly instructions. Review the assembled product prior to first use.

Please be aware the product has fixings with self-locking nuts. These self-locking nuts are for single use only and must be replaced when dismantling and reinstalling the product.

- The product must be assembled according the detailed steps on pages 9-22.
- The product shall not be installed over concrete, asphalt or any other hard surface.
- The bottom frame must be buried according installation instructions in order to reduce tipping hazards. Pay special attention to the mandatory installation depth.
- The bolt indicated in step 21 of the Assembly Manual should be at ground level or lower to achieve the minimal installation depth.
- The adding of accessories must be carried out according to the manufacturer's instructions.
- When installing the climbing net, ensure that there is no risk of entrapment.

### **Safe use for *Play***

Check page 26 for additional illustrations.

- The minimum clearance between the swing element and the ground must be 35 cm (14").
- The minimum clearance between two separate swing elements must be 45 cm (18").
- The minimum clearance between the swing element and the frame must be 30 cm (12").
- The minimal clearance between single swing elements (rings, disc) must be 60 cm (24").
- Swing elements must be adjusted as explained in the Assembly Manual on page 23 to achieve the minimal clearances.
- The climbing net must be installed as explained on page 24 to avoid entrapments
- Do not combine any swinging elements with the Climbing Net M/L
- Do not attach extra items to this product, such as ropes, chains, heavy cords or other items.
- Only add the add-ons mentioned in the attached document to the frame. Do not combine products of other manufacturers with this product because they may create safety hazards.

### **Safe use for *Sports***

Check page 26 for additional illustrations.

- Only use the boxing bag at positions where 80 cm (31") movement space can be met.

### **Safe use for *Lounge***

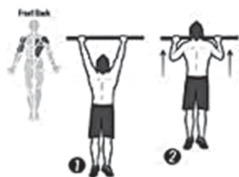
Check page 26 for additional illustrations.

- It is forbidden to climb over the frame when the hammock is attached.
- The hammock and all parts of the attachment must be removed if the frame is used with outdoor fitness equipment or toy accessories.
- Do not use the hammock / hanging seat if parts are damaged or lost.

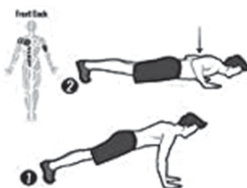
## Exercise instructions

The product can be used as outdoor fitness equipment for home use. Always perform any exercises in a controlled way. Do not perform any exercise which is

too hard for you. Here some exercise examples that will get you going:



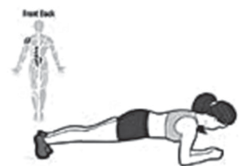
**Pull-Up**



**Push-Up**



**Hanging Knee Raise**



**Plank**



**Side-to-Side Pull-Up**



**Wall Squat**

## Maintenance

To ensure the safety of the users of the product, the product has to be subjected to the safety inspections and maintenance instructions mentioned below. If the checks are not carried out regularly the product could overturn or otherwise become a hazard.

- There must be no objects / sharp objects on the floor underneath the unit and in the movement area.
- Check all nuts and bolts for tightness and tighten when required.
- Missing or worn components must be replaced or repaired immediately.
- Oil all metallic moving parts.

- Check all coverings for bolts and sharp edges and replace when required.
- Check swing seats, chains, ropes and other means of attachments for evidence of deterioration.
- Replace defective parts in accordance with the manufacturers' instructions.
- The swing joints are fixed on one side: Explicit attention should be paid to checking the suspension points and replacing them immediately if there is visible damage.
- Follow your local guidelines for the disposal of all materials.

	Before each use	Monthly	Beginning of each season
Frame, nuts & bolts	Check for visible damage	Check if connections are tight and tighten them if needed	Inspect the frame connections thoroughly
Suspension points	Inspect condition of suspension points. Replace immediately if needed	Oil the suspension points	Thorough inspection of suspension points. Replace immediately if needed
Accessories	Check condition	Check for wear and tear	Check for wear and tear and replace if needed

## Warranty

### *Warranty period*

BERG products are of excellent quality. To provide you with years of carefree fun on our products, BERG offers you a functionality warranty. A functionality warranty is a warranty regarding its functional use. Please consult the table below for the term of this warranty.

- Parts that are liable to wear and tear (such as ropes), the influences of weather (such as rust and discolouration) and foam parts are excluded from warranty.
- Check [www.berg.com](http://www.berg.com) for extensive warranty regulations.

### *Warranty conditions*

The owner of the product can only claim a warranty by presenting the original receipt of the purchase. The warranty only applies to material and construction faults and with respect to this product or parts thereof.

Frame	10
Frame (after registration)	13
Components & accessories	3

*The warranty becomes nul and void if:*

- The product is used improperly and / or negligently.
- The product is improperly buried?
- The product is not assembled and maintained in accordance with the instruction manual.
- Technical repairs to the product are not carried out in a professional manner.
- Replacement parts do not correspond to the technical specifications of the product involved or are installed incorrectly.
- Parts mounted afterwards do not meet technical specifications of the product involved or have not been mounted correctly.
- Added parts or replaced parts are no official BERG spare parts or accessories.
- The product has been used for rental purposes or made available for use by a 3rd party.

# ***LET'S GO!***

# NEDERLAND

**Let op!** Deze handleiding is geschikt voor verschillende soorten producten. Let er bij het lezen van de handleiding op welke informatie van toepassing is op uw product.

## Waarschuwingen

### *Algemene waarschuwingen:*

- Het product moet worden gemonteerd volgens de montage-instructies.
- Montage door volwassenen vereist.
- Lees de instructies vóór het eerste gebruik en bewaar ze voor toekomstige raadpleging.
- Alleen voor huishoudelijk gebruik.
- Alleen voor buitengebruik.
  
- Valgevaar - framehoogte van 245 cm (8').
- Verstikkingsgevaar - kleine onderdelen in niet-gemonteerde staat.
- Verstikkingsgevaar - losse touwen kunnen verstikking veroorzaken.
  
- Het maximale gebruikersgewicht van het product is 100 kg (220 lbs).
- De maximale belasting voor het gehele product is 400 kg (880 lbs).
- Het maximale gebruikersgewicht per accessoire staat vermeld in de bijbehorende producthandleiding.
  
- Het gebruik van het product onder invloed van alcohol of drugs is verboden.
- Het product kan heet worden in direct zonlicht, wees voorzichtig.
- Houd vuur en andere warmtebronnen uit de buurt van het product.
- Gebruik het product niet wanneer het nat is.
- Objecten en andere obstakels die het gebruik van het product kunnen belemmeren, moeten worden verboden in het gebruiksbied.

Voeg alleen de toevoegingen aan het frame toe die worden genoemd in het toegevoegde document "Allowed Combinations". Combineer geen producten van andere fabrikanten met dit product omdat dit veiligheidsrisico's met zich mee kan brengen.

### *Play waarschuwingen:*

- Niet geschikt voor kinderen jonger dan 3 jaar. Valgevaar - framehoogte van 245 cm. Wurggevaar - losse touwen kunnen wurging veroorzaken. Verstikkingsgevaar - kleine onderdelen in niet-gemonteerde staat. Continu toezicht van een volwassene vereist.
- De gebruikersleeftijd voor het gebruik van het

BERG Playbase Babyzitje (20.20.00.00) is 9 tot 36 maanden.

- Continu toezicht van een volwassene vereist
- Het is verboden om over het frame te klimmen tijdens alle andere activiteiten op het product (bijv. klimmen).



### *Sport waarschuwingen:*

- Geschikt voor kinderen vanaf 14 jaar of een lichaamslengte van meer dan 140 cm.
- Gebruik dit product alleen als je eigen medische toestand het toelaat om het veilig te gebruiken.
- Vermijd overmatige inspanning bij het gebruik van de uitrusting.
- Gebruik de boksak alleen op posities waar aan 80 cm (31") bewegingsruimte kan worden voldaan.
- Het is verboden om het klimnet te gebruiken tijdens het trainen met de boksak.



### *Lounge waarschuwingen:*

- Continu toezicht door volwassenen vereist.
- Niet geschikt voor kinderen jonger dan 3 jaar.
- Hangmatten zijn geen schommeltoestellen. Het is verboden om over het frame te klimmen als er een hangmat is bevestigd.



## Gebruikersrichtlijnen

BERG of de dealer kan niet verantwoordelijk worden gehouden voor onjuist gebruik van dit product. Om veiligheidsredenen zijn wijzigingen of veranderingen aan het product verboden, tenzij deze door BERG zijn goedgekeurd.

Gebruik dit product alleen volgens de instructies in deze handleiding. Elk ongeoorloofd gebruik kan leiden tot ernstig letsel bij de gebruiker of tot beschadiging van het product.

### *Veilig gebruiksgebied* **Algemeen**

Zie pagina 18 voor aanvullende illustraties.

- Het product moet waterpas worden geplaatst, met een minimale afstand van 2,2 meter tot structuren of obstakels zoals een hek, garage, huis, overhangende takken, waslijnen of elektriciteitsdraden.
- Plaats het product op een onverharde stabiele ondergrond zoals gras. Installeer het product niet op beton, asfalt of een andere harde ondergrond.
- Voorwerpen en andere obstakels die het gebruik van het product kunnen belemmeren, moeten uit de buurt van het gebruiksgebied worden gehouden.
- Plaats het product zodanig dat accessoires (zoals schommels) niet direct op de volle zon gericht zijn.

### *Veilige installatie*

Het is verboden om andere combinaties te maken dan de voorgeschreven combinaties die vermeld staan op onze website en in de bijgevoegde "Allowed Combinations". Het product moet worden gemonteerd volgens de montagehandleiding. Controleer het gemonteerde product voor het eerste gebruik.

Let op: het product heeft bevestigingen met zelfborgende moeren. Deze zelfborgende moeren zijn voor eenmalig gebruik en moeten worden vervangen bij het demonteren en opnieuw installeren van het product.

- Het product moet worden gemonteerd volgens de gedetailleerde stappen op pagina 9-22.
- Het product mag niet geïnstalleerd worden op beton, asfalt of een andere harde ondergrond.
- Het bodemframe moet worden ingegraven volgens de installatie-instructies om kantelgevaar te voorkomen. Let vooral op de verplichte installatiediepte.
- De bout aangegeven in stap 21 van de montagehandleiding moet op grondniveau of lager zitten om de minimale installatiediepte te bereiken.
- Het toevoegen van accessoires moet worden uitgevoerd volgens de instructies van de fabrikant.
- Let er bij de installatie van het klimnet op dat er geen risico op beknelling bestaat.

### *Veilig gebruik voor* **Play**

Kijk op pagina 26 voor meer illustraties.

- De minimale afstand tussen het schommelelement en de grond moet 35 cm (14") zijn.
- De minimale ruimte tussen twee afzonderlijke schommelelementen moet 45 cm (18") zijn.
- De minimale ruimte tussen het schommelelement en het frame moet 30 cm (12") zijn.
- De minimale afstand tussen losse schommelelementen (ringen, schijf) moet 60 cm (24") zijn.
- Schommelelementen moeten worden aangepast zoals uitgelegd in de montagehandleiding op pagina 23 om de minimale afstanden te bereiken.
- Het klimnet moet worden geïnstalleerd zoals uitgelegd op pagina 24 om beknelling te voorkomen.
- Combineer geen schommelelementen met het Klimnet M/L.
- Bevestig geen extra voorwerpen aan dit product, zoals touwen, kettingen, zware koorden of andere voorwerpen.
- Bevestig alleen de in het bijgevoegde document genoemde toevoegingen aan het frame. Combineer geen producten van andere fabrikanten met dit product omdat dit veiligheidsrisico's met zich mee kan brengen.

### *Veilig gebruik voor* **Sports**

Kijk op pagina 26 voor meer illustraties.

- Gebruik de boksak alleen op posities waar aan 80 cm (31") bewegingsruimte kan worden voldaan.

### *Veilig gebruik voor* **Lounge**

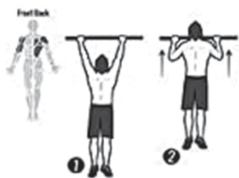
Kijk op pagina 26 voor meer illustraties.

- Het is verboden om over het frame te klimmen als de hangmat bevestigd is.
- De hangmat en alle onderdelen van de bevestiging moeten worden verwijderd als het frame wordt gebruikt met fitnessapparatuur voor buiten of speelgoedaccessoires.
- Gebruik de hangmat / hangstoel niet als onderdelen beschadigd of verloren zijn.

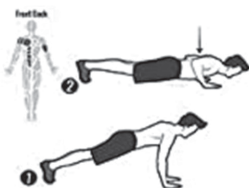
## Trainingsinstructies

Het product kan gebruikt worden als fitnessstoel voor buitenshuis. Doe uw trainingsoefeningen altijd op een gecontroleerde manier. Doe geen oefeningen

die te moeilijk zijn voor u. Hier zijn een aantal voorbeeldoefeningen om u op weg te helpen:



**Pull-Up**



**Push-Up**



**Hanging Knee Raise**



**Plank**



**Side-to-Side Pull-Up**



**Wall Squat**

## Onderhoud

Om de veiligheid van de gebruikers van het product te garanderen, moet het product worden onderworpen aan de hieronder vermelde veiligheidsinspecties en onderhoudsinstructies. Als de controles niet regelmatig worden uitgevoerd, kan het product omvallen of op een andere manier een gevaar vormen.

- Er mogen zich geen voorwerpen/scherpe voorwerpen op de vloer onder het apparaat en in het bewegingsgebied bevinden.
- Controleer of alle bouten en moeren goed vastzitten en draai ze indien nodig vast.
- Ontbrekende of versleten onderdelen moeten onmiddellijk vervangen of gerepareerd worden.

- Olie alle metalen bewegende delen.
- Controleer alle bekledingen op bouten en scherpe randen en vervang ze indien nodig.
- Controleer schommelzittes, kettingen, touwen en andere bevestigingsmiddelen op tekenen van slijtage.
- Vervang defecte onderdelen in overeenstemming met de instructies van de fabrikant.
- De schommelgewrichten zijn aan één kant bevestigd.
- Er moet expliciet aandacht worden besteed aan het controleren van de ophangpunten en deze onmiddellijk vervangen als er zichtbare schade is.
- Volg de plaatselijke richtlijnen voor het afvoeren van alle materialen.

	Vóór elk gebruik	Maandelijks	Begin van elk seizoen
Frame, moeren en bouten	Controleer op zichtbare schade	Controleer of de verbindingen goed vastzitten en draai strakker indien nodig	Controleer de frameverbindingen zorgvuldig
Ophangpunten	Controleer de staat van de ophangpunten. Vervang direct indien nodig	Smeer de ophangpunten in met olie	Zorgvuldige controle van de ophangpunten. Vervang direct indien nodig
Accessoires	Controleer staat	Controleer op slijtage	Controleer op slijtage en vervang indien nodig

# Garantie

## Garantie periode

BERG producten zijn van uitstekende kwaliteit. Om je jarenlang zorgeloos plezier te laten beleven aan onze producten, biedt BERG je een functionaliteitsgarantie. Een functionaliteitsgarantie is een garantie op het functionele gebruik. Raadpleeg onderstaande tabel voor de looptijd van deze garantie.

- Onderdelen die onderhevig zijn aan slijtage (zoals kabels), weersinvloeden (zoals roest en verkleuring) en schuimdelen zijn uitgesloten van garantie.
- Kijk op [www.berg.com](http://www.berg.com) voor uitgebreide garantiebepalingen.

## Garantie Voorwaarden

De eigenaar van het product kan alleen aanspraak maken op garantie op vertoon van de originele aankoopbon. De garantie geldt alleen voor materiaal- en constructiefouten en met betrekking tot dit product of onderdelen daarvan.

Frame	10
Frame (na registratie)	13
Onderdelen & accessoires	3

## De garantie vervalt indien:

- Het product onjuist en/of onzorgvuldig wordt gebruikt.
- Het product verkeerd is ingegraven?
- Het product niet in overeenstemming met de handleiding is gemonteerd en onderhouden.
- Technische reparaties aan het product niet op professionele wijze worden uitgevoerd.
- Vervangende onderdelen komen niet overeen met de technische specificaties van het betreffende product of worden verkeerd geïnstalleerd.
- Naderhand gemonteerde onderdelen voldoen niet aan de technische specificaties van het betreffende product of zijn niet correct gemonteerd.
- Toegevoegde onderdelen of vervangende onderdelen zijn geen officiële BERG reserveonderdelen of accessoires.
- Het product is gebruikt voor verhuurdoeleinden of beschikbaar gesteld voor gebruik door een 3e partij.

# LET'S GO!

# DEUTSCH

**Attention!** Dieses Handbuch ist für verschiedene Produkttypen geeignet. Achten Sie beim Lesen des Handbuchs darauf, welche Informationen auf Ihr Produkt zutreffen.

## Achtung

### Allgemeine Warnhinweise:

- Das Produkt muss gemäß der Montageanleitung zusammengebaut werden.
- Montage durch Erwachsene erforderlich.
- Lesen Sie die Anleitung vor dem ersten Gebrauch und bewahren Sie sie zum späteren Nachschlagen auf.
- Nur für den Hausgebrauch.
- Nur für die Verwendung im Freien.
  
- Sturzgefahr - Rahmenhöhe von 245 cm (8').
- Erstickungsgefahr - kleine Teile im unmontierten Zustand.
- Strangulationsgefahr - lose Seile können Strangulationen verursachen.
  
- Das maximale Benutzergewicht für das Produkt beträgt 100 kg (220 lbs).
- Die maximale Belastung für das gesamte Produkt beträgt 400 kg (880 lbs).
- Das maximale Benutzergewicht für jedes Zubehörteil ist im jeweiligen Produkthandbuch angegeben.
  
- Die Verwendung des Produkts unter dem Einfluss von Alkohol oder Drogen ist verboten.
- Das Produkt kann bei direkter Sonneneinstrahlung heiß werden, seien Sie vorsichtig.
- Halten Sie Feuer und andere Wärmequellen von dem Produkt fern.
- Verwenden Sie das Gerät nicht, wenn es nass ist.
- Gegenstände und andere Hindernisse, die die Verwendung des Produkts beeinträchtigen könnten, sollten aus dem Verwendungsbereich entfernt werden.

Fügen Sie dem Rahmen nur die in dem beigefügten Dokument "Allowed Combinations" genannten Anbauteile hinzu. Kombinieren Sie keine Produkte anderer Hersteller mit diesem Produkt, da sie ein Sicherheitsrisiko darstellen können.

### Warnhinweise für **Play**:

- Nicht geeignet für Kinder unter 3 Jahren. Sturzgefahr - Rahmenhöhe von 245 cm. Strangulationsgefahr - lose Seile können Strangulationen verursachen. Erstickungsgefahr - kleine Teile im unmontierten

Zustand. Ständige Beaufsichtigung durch einen Erwachsenen erforderlich.

- Das Alter des Benutzers für die Verwendung des BERG Playbase Babysitzes (20.20.00.00) beträgt 9 bis 36 Monate.
- Ständige Beaufsichtigung durch einen Erwachsenen erforderlich.
- Es ist verboten, während aller anderen Aktivitäten auf dem Produkt (z. B. Klettern) über den Rahmen zu klettern.



### Warnhinweise für **Sport**:

- Nicht geeignet für Kinder unter 14 Jahren oder einer Gesamthöhe von weniger als 140 cm (4' 7").
- Geeignet für Kinder ab 14 Jahren oder einer Körpergröße von mehr als 140 cm (4' 7").
- Verwenden Sie dieses Produkt nur, wenn Ihr eigener Gesundheitszustand es erlaubt, es sicher zu benutzen.
- Vermeiden Sie Überanstrengung bei der Benutzung des Geräts.
- Verwenden Sie den Boxsack nur an Stellen, an denen ein Bewegungsspielraum von 80 cm (31") eingehalten werden kann.



### Warnhinweise für **Lounge**:

- Geeignet für Kinder ab 3 Jahren und älter.
- Hängematten sind keine Schaukelgeräte.
- Es ist verboten, über das Gestell zu klettern, wenn eine Hängematte angebracht ist.



## Benutzerrichtlinien

BERG oder der Händler können nicht für den unsachgemäßen Gebrauch dieses Produkts verantwortlich gemacht werden. Aus Sicherheitsgründen sind Modifikationen oder Änderungen am Produkt verboten, es sei denn, sie wurden von BERG genehmigt.

Verwenden Sie dieses Produkt nur gemäß den Anweisungen in dieser Anleitung. Jede nicht autorisierte Verwendung kann zu schweren Verletzungen des Benutzers oder zur Beschädigung des Produkts führen.

### *Sicherer Einsatzbereich*

Auf Seite 18 finden Sie weitere Abbildungen.

- Das Gerät muss waagrecht aufgestellt werden, wobei ein Mindestabstand von 2,2 Metern zu Strukturen oder Hindernissen wie Zäunen, Garagen, Häusern, überhängenden Ästen, Wäscheleinen oder elektrischen Leitungen eingehalten werden muss.
- Stellen Sie das Gerät auf eine unbefestigte, feste Oberfläche wie z. B. Gras. Stellen Sie das Gerät nicht auf Beton, Asphalt oder einer anderen harten Oberfläche auf.
- Gegenstände und andere Hindernisse, die die Benutzung des Geräts beeinträchtigen könnten, sollten vom Aufstellungsort ferngehalten werden.
- Stellen Sie das Produkt so auf, dass Zubehörteile (z. B. Schaukeln) nicht direkt zur vollen Sonneneinstrahlung ausgerichtet sind.

### *Sichere Installation*

Es ist verboten, andere als die vorgeschriebenen und auf unserer Website aufgeführten Kombinationen herzustellen. Das Produkt sollte gemäß der Montageanleitung montiert werden. Überprüfen Sie das zusammengebaute Produkt vor dem ersten Gebrauch.

Bitte beachten Sie, dass das Produkt über Befestigungen mit selbstsichernden Muttern verfügt. Diese selbstsichernden Muttern sind nur für den einmaligen Gebrauch bestimmt und müssen bei der Demontage und Wiedermontage des Produkts ersetzt werden.

- Das Produkt muss gemäß den detaillierten Schritten auf den Seiten 9-22 montiert werden.
- Das Produkt darf nicht auf Beton, Asphalt oder einer anderen harten Oberfläche installiert werden.
- Der untere Rahmen muss gemäß den Installationsanweisungen eingegraben werden, um Kippgefahren zu vermeiden. Achten Sie besonders auf die vorgeschriebene Einbautiefe.
- die in Schritt 21 der Montageanleitung angegebene Schraube sollte auf Bodenhöhe oder tiefer liegen, um die minimale Einbautiefe zu erreichen.
- Das Hinzufügen von Zubehörteilen muss gemäß den Anweisungen des Herstellers erfolgen.
- Bei der Montage des Kletternetzes ist darauf zu achten, dass keine Einklemmgefahr besteht.

### *Sichere Verwendung für **Aktivitätsspielzeug***

Auf Seite 26 finden Sie weitere Abbildungen.

- Der Mindestabstand zwischen dem Schaukelement und dem Boden muss 35 cm (14") betragen.
- Der Mindestabstand zwischen zwei separaten Schaukelementen muss 45 cm (18") betragen.
- Der Mindestabstand zwischen dem Schwingelement und dem Rahmen muss 30 cm (12") betragen.
- Der Mindestabstand zwischen einzelnen Schwingelementen (Ringe, Scheibe) muss 60 cm (24") betragen.
- Die Schwingelemente müssen wie in der Montageanleitung auf Seite 23 beschrieben eingestellt werden, um die Mindestabstände zu erreichen.
- Das Kletternetz muss wie in der Montageanleitung auf Seite 24 beschrieben installiert werden, um Einklemmungen zu vermeiden.
- Kombinieren Sie keine schwingenden Elemente mit dem Kletternetz M/L
- Bringen Sie an diesem Produkt keine zusätzlichen Gegenstände an, wie z. B. Seile, Ketten, schwere Schnüre oder andere Gegenstände
- Fügen Sie dem Rahmen nur die im beigefügten Dokument erwähnten Anbauteile hinzu. Kombinieren Sie keine Produkte anderer Hersteller mit diesem Produkt, da dies ein Sicherheitsrisiko darstellen kann.

### *Sichere Verwendung beim **Sport***

Auf Seite 26 finden Sie weitere Abbildungen.

- Verwenden Sie den Boxsack nur an Stellen, an denen ein Bewegungsspielraum von 80 cm (31") eingehalten werden kann.

### *Sichere Verwendung für **Gartenmöbel***

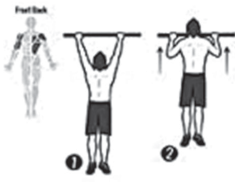
Auf Seite 26 finden Sie weitere Abbildungen.

- Es ist verboten, über das Gestell zu klettern, wenn die Hängematte befestigt ist.
- Die Hängematte und alle Teile der Befestigung müssen entfernt werden, wenn das Gestell mit Outdoor-Fitnessgeräten oder Spielzeugzubehör verwendet wird.
- Verwenden Sie die Hängematte/den Hängesitz nicht, wenn Teile beschädigt sind oder verloren gehen.

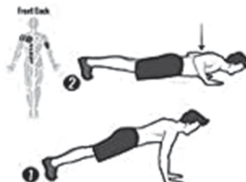
# Übungsanleitung

Das Produkt kann als Outdoor-Fitnessgerät für den Heimgebrauch verwendet werden. Führen Sie alle Übungen immer kontrolliert durch. Führen Sie keine

Übungen durch, die für Sie zu schwer sind. Hier einige Übungsbeispiele, die Sie in Schwung bringen werden:



**Pull-Up**



**Push-Up**



**Hanging Knee Raise**



**Plank**



**Side-to-Side Pull-Up**



**Wall Squat**

## Wartung

Um die Sicherheit der Benutzer des Produkts zu gewährleisten, muss das Produkt den unten aufgeführten Sicherheitsinspektionen und Wartungsanweisungen unterzogen werden. Wenn die Kontrollen nicht regelmäßig durchgeführt werden, könnte das Produkt umkippen oder anderweitig zu einer Gefahr werden.

- Es dürfen sich keine Gegenstände / scharfen Gegenstände auf dem Boden unter dem Gerät und im Bewegungsbereich befinden.
- Überprüfen Sie alle Schrauben und Muttern auf festen Sitz und ziehen Sie sie bei Bedarf nach.
- Fehlende oder verschlissene Teile müssen sofort ersetzt oder repariert werden.

- Ölen Sie alle beweglichen Metallteile.
- Prüfen Sie alle Verkleidungen auf Schrauben und scharfe Kanten und ersetzen Sie sie bei Bedarf.
- Prüfen Sie Schaukelsitze, Ketten, Seile und andere Befestigungsmittel auf Anzeichen von Abnutzung.
- Tauschen Sie defekte Teile gemäß den Anweisungen des Herstellers aus.
- Die Schaukelgelenke sind an einer Seite befestigt: Achten Sie ausdrücklich darauf, die Aufhängepunkte zu überprüfen und bei sichtbaren Schäden sofort auszutauschen.
- Beachten Sie die örtlichen Richtlinien für die Entsorgung aller Materialienmaterials.

	Vor jeder Nutzung	Monatlich	Zu Beginn einer jeden Saison
Rahmen, Schrauben und Muttern	Prüfen Sie auf sichtbare Schäden	Prüfen Sie, ob die Verbindungen fest sind und ziehen Sie sie bei Bedarf nach	Prüfen Sie die Rahmenverbindungen gründlich
Aufhängungspunkte	Prüfen Sie den Zustand der Aufhängungspunkte. Bei Bedarf sofort austauschen	Ölen Sie die Aufhängungspunkte	Gründliche Überprüfung der Aufhängungspunkte. Bei Bedarf sofort austauschen
Zubehör	Zustand prüfen	Prüfen Sie auf Verschleiß	Prüfen Sie auf Verschleiß und tauschen Sie sie bei Bedarf aus

# Garantie

## Garantiezeit

BERG-Produkte sind von hervorragender Qualität. Damit Sie jahrelang unbeschwertem Spaß an unseren Produkten haben, bietet BERG Ihnen eine Funktionsgarantie. Eine Funktionsgarantie ist eine Garantie für die funktionelle Nutzung. Die Dauer dieser Garantie entnehmen Sie bitte der nachstehenden Tabelle.

- Von der Garantie ausgeschlossen sind Teile, die dem Verschleiß (z. B. Seile), Witterungseinflüssen (z. B. Rost und Verfärbungen) und Schaumstoffteilen unterliegen.
- Die ausführlichen Garantiebestimmungen finden Sie unter [www.berg.com](http://www.berg.com).

## Garantiebedingungen

Der Besitzer des Produkts kann nur gegen Vorlage des Original-Kaufbelegs eine Garantie in Anspruch nehmen. Die Garantie gilt nur für Material- und Konstruktionsfehler und bezieht sich auf dieses Produkt oder Teile davon.

Rahmen	10
Rahmen (nach Registrierung)	13
Komponenten und Zubehör	3

## Die Garantie wird ungültig, wenn:

- das Produkt unsachgemäß und / oder fahrlässig verwendet wird.
- Das Produkt unsachgemäß vergraben wird?
- Das Produkt nicht gemäß der Bedienungsanleitung montiert und gewartet wird.
- Technische Reparaturen am Produkt werden nicht fachgerecht durchgeführt.
- Ersatzteile entsprechen nicht den technischen Spezifikationen des betreffenden Produkts oder werden falsch eingebaut.
- Nachträglich eingebaute Teile entsprechen nicht den technischen Spezifikationen des betreffenden Produkts oder wurden nicht korrekt eingebaut.
- Hinzugefügte oder ausgetauschte Teile sind keine offiziellen BERG-Ersatzteile oder Zubehörteile.
- Das Produkt wurde zu Vermietungszwecken verwendet oder von einem Dritten zur Nutzung zur Verfügung gestellt

# ***LOS GEHT!***

# FRANÇAIS

**Attention!** Ce manuel est adapté à plusieurs types de produits. Lorsque vous lisez le manuel, faites attention aux informations qui s'appliquent à votre produit.

## Avertissements

### Avertissements généraux :

- Le produit doit être assemblé conformément aux instructions d'assemblage.
- Assemblage par un adulte requis.
- Lire les instructions avant la première utilisation et les conserver pour référence ultérieure.
- Pour un usage domestique uniquement.
- Pour usage extérieur uniquement.

- Risque de chute - hauteur du cadre de 245 cm (8').
- Risque d'étouffement - petites pièces non assemblées.
- Risque de strangulation - les cordes lâches peuvent provoquer une strangulation.

- Le poids maximum de l'utilisateur sur le produit est de 100 kg (220 lbs).
- La charge maximale pour l'ensemble du produit est de 400 kg.
- Le poids maximal de l'utilisateur pour chaque accessoire est indiqué dans le manuel du produit concerné.

- Il est interdit d'utiliser le produit sous l'influence de l'alcool ou de drogues.
- Le produit peut devenir chaud en plein soleil, soyez prudent.
- Tenez le feu et les autres sources de chaleur à l'écart du produit.
- N'utilisez pas le produit lorsqu'il est mouillé.
- Les objets et autres obstacles susceptibles de gêner l'utilisation du produit doivent être interdits dans la zone d'utilisation.

N'ajoutez au cadre que les compléments mentionnés dans le document "Allowed Combinations". Ne pas combiner des produits d'autres fabricants avec ce produit, car ils peuvent créer des risques pour la sécurité.

### Avertissements Play:

- Ne convient pas aux enfants de moins de 3 ans.
- Risque de chute - hauteur du cadre de 245 cm.
- Risque d'étranglement - les cordes lâches peuvent provoquer un étranglement.
- Risque d'étouffement - petites

pièces non assemblées. La surveillance continue d'un adulte est nécessaire.

- L'âge de l'utilisateur du siège BERG Playbase Baby (20.20.00.00) est de 9 à 36 mois.
- La surveillance continue d'un adulte est requise.
- Il est interdit de grimper sur le cadre pendant toute autre activité sur le produit (par exemple, l'escalade).



### Avertissements Sport:

- Convient aux enfants à partir de 14 ans ou d'une taille supérieure à 140 cm.
- N'utilisez ce produit que si votre état de santé vous permet de l'utiliser en toute sécurité.
- Evitez tout effort excessif lors de l'utilisation de l'équipement.
- N'utilisez le sac de boxe qu'à des endroits où un espace de mouvement de 80 cm (31") peut être respecté.
- Il est interdit d'utiliser le filet d'escalade lors de l'entraînement avec le sac de boxe.



### **Avertissements Lounge:**

- La surveillance continue d'un adulte est requise.
- Ne convient pas aux enfants de moins de 3 ans
- Les hamacs ne sont pas des balançoires.
- Il est interdit de grimper sur le cadre lorsqu'un hamac est attaché.



## **Guide de l'utilisateur**

BERG ou le revendeur ne peuvent être tenus responsables d'une mauvaise utilisation de ce produit. Pour des raisons de sécurité, il est interdit d'apporter des modifications ou des changements au produit sans l'accord de BERG.

N'utilisez ce produit que selon les instructions de ce manuel. Toute utilisation non autorisée peut entraîner des blessures graves pour l'utilisateur ou endommager le produit.

### **Zone d'utilisation sûre Général**

Vous trouverez des illustrations supplémentaires à la page 18.

- Le produit doit être placé de niveau, à une distance minimale de 2,2 mètres de toute structure ou de tout obstacle tel qu'une clôture, un garage, une maison, des branches en surplomb, des fils à linge ou des fils électriques.
- Placez le produit sur une surface stable non pavée, comme de l'herbe. N'installez pas votre produit sur du béton, de l'asphalte ou toute autre surface dure.
- Les objets et autres obstacles susceptibles de gêner l'utilisation du produit doivent être interdits dans la zone d'utilisation.
- Placez le produit de manière à ce que les accessoires (par exemple les balançoires) ne soient pas orientés directement vers le soleil.

### **Une installation sûre**

Il est interdit d'effectuer d'autres combinaisons que les combinaisons prescrites énumérées sur notre site web et dans les "Combinaisons autorisées" ci-jointes. Le produit doit être assemblé conformément aux instructions d'assemblage. Examinez le produit assemblé avant la première utilisation.

Veillez noter que le produit comporte des fixations avec des écrous autobloquants. Ces écrous autobloquants sont à usage unique et doivent être remplacés lors du démontage et de la réinstallation du produit.

- Le produit doit être assemblé selon les étapes détaillées aux pages 9-22.
- Le produit ne doit pas être installé sur du béton, de l'asphalte ou toute autre surface dure.
- Le cadre inférieur doit être enterré conformément aux instructions d'installation afin de réduire les risques de basculement. Faites particulièrement attention à la profondeur d'installation obligatoire.
- Le boulon indiqué à l'étape 21 du manuel d'assemblage doit se trouver au niveau du sol ou plus bas pour atteindre la profondeur d'installation minimale.
- L'ajout d'accessoires doit être effectué conformément aux instructions du fabricant.
- Lors de l'installation du filet à grimper, veillez à ce qu'il n'y ait pas de risque de coincement.

### **Utilisation sûre pour Play**

Vous trouverez des illustrations supplémentaires à la page 26.

- La distance minimale entre l'élément de balançoire et le sol doit être de 35 cm (14").
- L'espace minimum entre deux éléments de balançoire séparés doit être de 45 cm (18").
- L'espace minimum entre l'élément de balançoire et le cadre doit être de 30 cm (12").
- L'espace minimal entre deux éléments de pivotement (anneaux, disques) doit être de 60 cm (24").
- Les éléments de balançoire doivent être ajustés comme expliqué dans le manuel d'assemblage à la page 23 afin d'obtenir les dégagements minimaux.
- Le filet d'escalade doit être installé comme expliqué à la page 24 afin d'éviter les coincements.
- Ne pas combiner d'éléments de balançoire avec le filet à grimper M/L.
- Ne pas attacher d'éléments supplémentaires à ce produit, tels que des cordes, des chaînes, des cordons lourds ou d'autres éléments.
- N'ajoutez au cadre que les accessoires mentionnés dans le document ci-joint.
- Ne pas combiner des produits d'autres fabricants avec ce produit car ils peuvent créer des risques pour la sécurité.

### **Utilisation sûre pour Sports**

Vous trouverez des illustrations supplémentaires à la page 26.

- N'utilisez le sac de boxe qu'à des endroits où un espace de mouvement de 80 cm (31") peut être respecté.

### **Utilisation sûre pour Lounge**

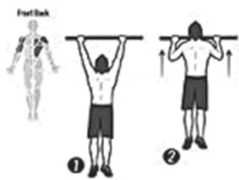
Vous trouverez des illustrations supplémentaires à la page 26.

- Il est interdit de grimper sur le cadre lorsque le hamac est fixé.
- Le hamac et toutes les parties de la fixation doivent être enlevés si le cadre est utilisé avec des équipements de fitness en plein air ou des accessoires de jouets.
- N'utilisez pas le hamac / siège suspendu si des pièces sont endommagées ou perdues.

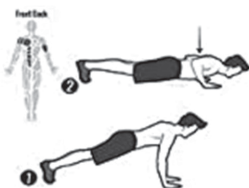
## Instructions pour les exercices

Le produit peut être utilisé comme équipement de fitness de plein air pour un usage domestique. Effectuez toujours les exercices de manière contrôlée. Ne faites

pas d'exercice trop difficile pour votre niveau. Voici quelques exemples d'exercices qui vous permettront de vous lancer:



**Pull-Up**



**Push-Up**



**Hanging Knee Raise**



**Plank**



**Side-to-Side Pull-Up**



**Wall Squat**

## Maintenance

Pour garantir la sécurité des utilisateurs du produit, celui-ci doit être soumis aux inspections de sécurité et aux instructions d'entretien mentionnées ci-dessous. Si les contrôles ne sont pas effectués régulièrement, le produit peut se renverser ou devenir dangereux.

- Aucun objet / objet pointu ne doit se trouver sur le sol sous l'appareil et dans la zone de déplacement.
- Vérifiez que tous les écrous et les boulons sont bien serrés et resserrez-les si nécessaire.
- Les composants manquants ou usés doivent être remplacés ou réparés immédiatement.
- Huiler toutes les pièces métalliques mobiles.

- Vérifiez l'absence de boulons et d'arêtes vives sur tous les revêtements et remplacez-les si nécessaire.
- Vérifiez que les sièges de balançoire, les chaînes, les cordes et les autres moyens d'attache ne sont pas détériorés.
- Remplacez les pièces défectueuses conformément aux instructions du fabricant.
- Les articulations de la balançoire sont fixées d'un côté : Il convient de vérifier tout particulièrement les points de suspension et de les remplacer immédiatement en cas de dommages visibles.
- Suivez les directives locales pour l'élimination de tous les matériaux.

	Avant chaque utilisation	Tous les mois	Au début de chaque saison
Structure, écrous et boulons	Contrôler les dommages visibles	Vérifiez que les liaisons sont bien serrées et resserrez-les si nécessaire.	Inspecter minutieusement les liaisons de la structure.
Points de suspension	Vérifiez l'état des points de suspension. Remplacer immédiatement si nécessaire	Lubrifiez les points de suspension	Contrôlez minutieusement les points de suspension. Remplacer immédiatement si nécessaire
Accessoires	Vérifier l'état	Contrôlez l'usure	Vérifiez l'usure et remplacez les éléments si nécessaire

## Garantie

### *Période de garantie*

Les produits BERG sont d'excellente qualité. Pour que vous puissiez utiliser nos produits sans souci pendant des années, BERG vous offre une garantie de fonctionnement. Une garantie de fonctionnement est une garantie concernant l'utilisation fonctionnelle. Veuillez consulter le tableau ci-dessous pour connaître la durée de cette garantie.

- Les pièces sujettes à l'usure (telles que les cordes), aux influences climatiques (telles que la rouille et la décoloration) et les pièces en mousse sont exclues de la garantie.
- Consultez le site [www.berg.com](http://www.berg.com) pour obtenir des informations détaillées sur les conditions de garantie.

### *Conditions de garantie*

Le propriétaire du produit ne peut faire valoir une garantie que sur présentation de l'original de la facture d'achat. La garantie ne s'applique qu'aux défauts de matériel et de construction et à ce produit ou à ses pièces.

Structure	10
Structure (après enregistrement)	13
Composants et accessoires	3

### *La garantie est nulle et non avenue si*

- Le produit est utilisé de manière incorrecte et/ou négligente.
- Le produit est mal enterré ?
- Le produit n'est pas assemblé et entretenu conformément au manuel d'instructions.
- Les réparations techniques du produit ne sont pas effectuées dans les règles de l'art.
- Les pièces de rechange ne correspondent pas aux spécifications techniques du produit concerné ou sont installées de manière incorrecte.
- Les pièces montées ultérieurement ne correspondent pas aux spécifications techniques du produit concerné ou n'ont pas été montées correctement.
- Les pièces ajoutées ou remplacées ne sont pas des pièces de rechange ou des accessoires officiels de BERG.
- Le produit a été utilisé à des fins de location ou mis à la disposition d'un tiers.

# ***ALLONS-Y!***

# ESPAÑOL

**Atención.** Este manual es adecuado para varios tipos de productos. Cuando lea el manual, preste atención a la información que se aplica a su producto.

## Advertencias

### Advertencias *generales:*

- El producto debe montarse de acuerdo con las instrucciones de montaje.
- Requiere montaje por parte de un adulto.
- Lea las instrucciones antes del primer uso y consérvelas para futuras consultas.
- Sólo para uso doméstico.
- Sólo para uso en exteriores.

- Peligro de caída - altura del armazón de 245 cm (8').
- Peligro de asfixia - piezas pequeñas sin montar.
- Peligro de estrangulamiento - las cuerdas sueltas pueden causar estrangulamiento.

- El peso máximo del usuario sobre el producto es de 100 kg (220 lbs).
- La carga máxima para todo el producto es de 400 kg (880 lbs).
- El peso máximo del usuario por accesorio se indica en el manual de ese producto en particular.

- Está prohibido utilizar el producto bajo los efectos del alcohol o las drogas.
- El producto puede calentarse a la luz directa del sol, tenga cuidado.
- Mantenga el fuego y otras fuentes de calor alejados del producto.
- No utilice el producto si está mojado.
- Los objetos y otros obstáculos que puedan interferir con el uso del producto deben prohibirse en el área de uso.

Añada al armazón únicamente los complementos mencionados en el documento "Allowed Combinations". No combine productos de otros fabricantes con este producto porque pueden crear riesgos para la seguridad.

### Advertencias *Play:*

- No apto para niños menores de 3 años. Peligro de caída - altura del armazón de 245 cm. Peligro de estrangulamiento - las cuerdas sueltas pueden causar estrangulamiento. Peligro de asfixia - piezas pequeñas desmontadas. Se requiere la supervisión

continua de un adulto.

- La edad del usuario para utilizar la silla BERG Playbase Baby (20.20.00.00) es de 9 a 36 meses.
- Se requiere la supervisión continua de un adulto.
- Está prohibido trepar por el armazón durante cualquier otra actividad sobre el producto (por ejemplo, escalada).



### Advertencias *Sport:*

- Adecuado para niños a partir de 14 años o altura total superior a 140 cm (4' 7").
- Utilice este producto únicamente cuando su propio estado de salud le permita utilizarlo con seguridad.
- Evite sobreesfuerzos al utilizar el equipo.
- Utilice el saco de boxeo únicamente en posiciones en las que se pueda alcanzar un espacio de movimiento de 80 cm (31").
- Está prohibido utilizar la red de escalada cuando se entrena con el saco de boxeo.



### Advertencias **Lounge**:

- Se requiere la supervisión continua de un adulto.
- No apto para niños menores de 3 años.
- Las hamacas no son columpios.
- Está prohibido trepar por el armazón cuando hay una hamaca enganchada.



## Instrucciones de uso

BERG o el distribuidor no se hacen responsables del uso inadecuado de este producto. Por razones de seguridad, a menos que estén aprobadas por BERG, se prohíben las modificaciones o cambios en el producto.

Utilice este producto sólo como se indica en este manual. Cualquier uso no autorizado podría causar lesiones graves al usuario o dañar el producto.

### Área de uso segura **Generalidades**

Consulte la página 18 para ver ilustraciones adicionales.

- El producto debe colocarse a nivel, asegurando una distancia mínima de al menos 2,2 metros de cualquier estructura u obstrucción como una valla, garaje, casa, ramas colgantes, tendederos o cables eléctricos.
- Coloque el producto sobre una superficie firme no pavimentada, como el césped. No instale el producto sobre hormigón, asfalto o cualquier otra superficie dura.
- Los objetos y otros obstáculos que puedan interferir con el uso del producto deben prohibirse en la zona de uso.
- Coloque el producto de forma que los accesorios (por ejemplo, columpios) no estén orientados directamente hacia la exposición total del sol.

### Instalación segura

Está prohibido hacer otras combinaciones que las prescritas en nuestro sitio web y en las "Combinaciones permitidas" adjuntas. El producto debe montarse de acuerdo con las instrucciones de montaje. Revise el producto montado antes de utilizarlo por primera vez.

Tenga en cuenta que el producto tiene fijaciones con tuercas autoblocantes. Estas tuercas autoblocantes son de un solo uso y deben sustituirse al desmontar y volver a montar el producto.

- El producto debe montarse siguiendo los pasos detallados en las páginas 9-22.
- El producto no debe instalarse sobre hormigón, asfalto o cualquier otra superficie dura.
- El bastidor inferior debe enterrarse de acuerdo con las instrucciones de instalación para reducir los riesgos de vuelco. Preste especial atención a la profundidad de instalación obligatoria.
- El perno indicado en el paso 21 del Manual de Montaje debe estar a nivel del suelo o más abajo para alcanzar la profundidad mínima de instalación.
- La adición de accesorios debe realizarse de acuerdo con las instrucciones del fabricante.
- Al instalar la red de escalada, asegúrese de que no haya riesgo de atrapamiento.

### Uso seguro para **Play**

Consulte la página 26 para ver ilustraciones adicionales.

- La distancia mínima entre el elemento de balanceo y el suelo debe ser de 35 cm (14").
- La distancia mínima entre dos elementos de balanceo separados debe ser de 45 cm (18").
- La distancia mínima entre el elemento de balanceo y el bastidor debe ser de 30 cm (12").
- La separación mínima entre elementos de balanceo individuales (anillos, disco) debe ser de 60 cm (24").
- Los elementos de balanceo deben ajustarse como se explica en el Manual de montaje en la página 23 para conseguir las distancias mínimas.
- La red de escalada debe instalarse como se explica en la página 24 para evitar atrapamientos.
- No combine ningún elemento de balanceo con la Red de Escalada M/L.
- No fije elementos adicionales a este producto, como cuerdas, cadenas, cuerdas pesadas u otros elementos.
- Añada al armazón únicamente los complementos mencionados en el documento adjunto. No combine productos de otros fabricantes con este producto porque pueden crear riesgos de seguridad.

### Uso seguro para **Sports**

Consulte la página 26 para ver ilustraciones adicionales.

- Utilice el saco de boxeo únicamente en posiciones en las que se pueda cumplir un espacio de movimiento de 80 cm (31").

### Uso seguro para **Lounge**

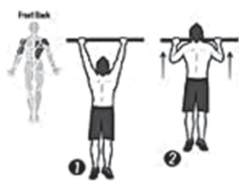
Consulte la página 26 para ver ilustraciones adicionales.

- Está prohibido subirse al armazón cuando la hamaca está fijada.
- La hamaca y todas las partes del accesorio deben retirarse si el armazón se utiliza con equipos de fitness al aire libre o accesorios de juguete.
- No utilice la hamaca / asiento colgante si las piezas están dañadas o se han perdido.

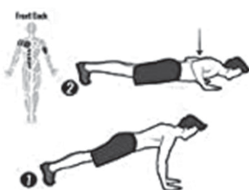
## Instrucciones de ejercicio

El producto se puede utilizar como equipo de fitness al aire libre para uso doméstico. Realiza siempre los ejercicios de forma controlada. No realices ningún

ejercicio que sea demasiado difícil. Aquí algunos ejemplos de ejercicios que te ayudarán a empezar:



**Pull-Up**



**Push-Up**



**Hanging Knee Raise**



**Plank**



**Side-to-Side Pull-Up**



**Wall Squat**

## Mantenimiento

Para garantizar la seguridad de los usuarios del producto, éste debe someterse a las inspecciones de seguridad e instrucciones de mantenimiento que se mencionan a continuación. Si las comprobaciones no se realizan con regularidad, el producto podría volcar o convertirse en un peligro.

- No debe haber objetos / objetos afilados en el suelo debajo de la unidad y en la zona de movimiento.
- Compruebe el apriete de todos los tornillos y tuercas y apriételes cuando sea necesario.
- Los componentes que falten o estén desgastados deben sustituirse o repararse inmediatamente.
- Engrase todas las piezas metálicas móviles.

- Compruebe si hay tornillos o bordes afilados en todos los revestimientos y sustitúyalos cuando sea necesario.
- Compruebe si hay indicios de deterioro en los asientos de los columpios, las cadenas, las cuerdas y otros medios de sujeción.
- Sustituya las piezas defectuosas de acuerdo con las instrucciones del fabricante.
- Las articulaciones de los columpios están fijadas por un lado: Debe prestarse especial atención a comprobar los puntos de suspensión y sustituirlos inmediatamente si presentan daños visibles.
- Siga las directrices locales para la eliminación de todos los materiales.

	Antes de cada uso	Mensual	Comienzo de cada temporada
Estructura, tuercas y tornillos	Comprobar si hay daños visibles	Comprueba si los tornillos están apretados y ajústalos si es necesario	Inspeccionar minuciosamente las conexiones de la estructura
Puntos de suspensión	Inspeccionar el estado de los puntos de suspensión. Reemplazar inmediatamente si es necesario	Engrasar los puntos de suspensión	Inspeccionar minuciosamente los puntos de suspensión. Reemplazar inmediatamente si es necesario
Accesorios	Verificar condición	Comprueba el desgaste	Verificar el desgaste y reemplazarlo si fuera necesario

## Garantía

### *Período de garantía*

Los productos BERG son de excelente calidad. Para proporcionarle años de diversión sin preocupaciones con nuestros productos, BERG le ofrece una garantía de funcionalidad. Una garantía de funcionalidad es una garantía relativa a su uso funcional. Consulte la tabla siguiente para conocer el plazo de esta garantía.

- Quedan excluidas de la garantía las piezas sujetas a desgaste (como las cuerdas), las influencias meteorológicas (como el óxido y la decoloración) y las piezas de espuma.
- Consulte [www.berg.com](http://www.berg.com) para obtener información más detallada sobre la garantía.

### *Condiciones de la garantía*

El propietario del producto sólo puede reclamar la garantía presentando el recibo original de compra. La garantía sólo se aplica a defectos de material y construcción y con respecto a este producto o a partes del mismo.

Cuadro	10
Cuadro (después del registro)	13
Componentes y accesorios	3

### *La garantía pierde su validez si:*

- El producto se utiliza de forma inadecuada y/o negligente.
- El producto se entierra de forma inadecuada.
- El producto no se monta y mantiene de acuerdo con el manual de instrucciones.
- Las reparaciones técnicas del producto no se realizan de forma profesional.
- Las piezas de repuesto no se corresponden con las especificaciones técnicas del producto en cuestión o se instalan de forma incorrecta.
- Las piezas montadas posteriormente no se corresponden con las especificaciones técnicas del producto en cuestión o no se han montado correctamente.
- Las piezas añadidas o sustituidas no son recambios o accesorios oficiales de BERG.
- El producto se ha utilizado con fines de alquiler o ha sido puesto a disposición de terceros para su uso.

# ***VAMOS!***

# ITALIANO

**Attenzione!** Questo manuale è adatto a diversi tipi di prodotti. Durante la lettura del manuale, prestare attenzione alle informazioni applicabili al proprio prodotto.

## Avvertenze

### Avvertenze generali:

- Il prodotto deve essere assemblato secondo le istruzioni di montaggio.
- È richiesto il montaggio da parte di un adulto.
- Leggere le istruzioni prima del primo utilizzo e conservarle per riferimenti futuri.
- Solo per uso domestico.
- Solo per uso esterno.

- Pericolo di caduta - altezza del telaio di 245 cm (8').
- Pericolo di soffocamento - piccole parti non montate.
- Pericolo di strangolamento - le corde allentate possono causare lo strangolamento.

- Il peso massimo dell'utente sul prodotto è di 100 kg (220 libbre).
- Il carico massimo per l'intero prodotto è di 400 kg (880 lbs).
- Il peso massimo dell'utente per ogni accessorio è indicato nel manuale del prodotto.

- È vietato utilizzare il prodotto sotto l'effetto di alcol o droghe.
- Il prodotto può surriscaldarsi alla luce diretta del sole; prestare attenzione.
- Tenere il fuoco e altre fonti di calore lontano dal prodotto.
- Non utilizzare il prodotto quando è bagnato.
- È necessario vietare la presenza di oggetti e altri ostacoli che possano interferire con l'utilizzo del prodotto.

Aggiungere al telaio solo i componenti aggiuntivi indicati nel documento aggiunto "Allowed Combinations". Non combinare prodotti di altri produttori con questo prodotto perché potrebbero creare rischi per la sicurezza.

### Avvertenze per il Play:

- Non adatto a bambini di età inferiore a 3 anni. Pericolo di caduta - altezza del telaio di 245 cm. Pericolo di strangolamento - le corde allentate

possono causare lo strangolamento. Pericolo di soffocamento - piccole parti non assemblate. È necessaria la supervisione continua di un adulto.

- L'età di utilizzo del seggiolino BERG Playbase Baby (20.20.00.00) è compresa tra 9 e 36 mesi.
- È necessaria la supervisione continua di un adulto.
- È vietato scavalcare il telaio durante tutte le altre attività sul prodotto (ad esempio, l'arrampicata).



### Avvertenze per lo Sport:

- Adatto a bambini dai 14 anni in su o di altezza complessiva superiore a 140 cm (4' 7").
- Utilizzare questo prodotto solo se le proprie condizioni mediche ne consentono un uso sicuro.
- Evitare sforzi eccessivi durante l'utilizzo dell'attrezzatura.
- Utilizzare il sacco da boxe solo in posizioni in cui sia possibile rispettare uno spazio di movimento di 80 cm (31").
- È vietato utilizzare la rete da arrampicata quando ci si allena con il sacco da boxe.



### Avvertenze per la **Lounge**:

- È necessaria la supervisione continua di un adulto.
- Non adatto a bambini di età inferiore a 3 anni
- Le amache non sono dispositivi di oscillazione.
- È vietato scavalcare il telaio quando l'amaca è fissata.



## Linee guida per l'utente

BERG o il rivenditore non possono essere ritenuti responsabili per l'uso improprio di questo prodotto. Per ragioni di sicurezza, se non approvate da BERG, è vietato apportare modifiche o cambiamenti al prodotto.

Utilizzare il prodotto solo come indicato nel presente manuale. Qualsiasi uso non autorizzato potrebbe causare gravi lesioni all'utente o danneggiare il prodotto.

### Area di utilizzo sicura **Generale**

Consultare pagina 18 per ulteriori illustrazioni.

- Il prodotto deve essere posizionato in piano, assicurando una distanza minima di almeno 2,2 metri da qualsiasi struttura o ostacolo come recinzioni, garage, case, rami sporgenti, fili del bucato o cavi elettrici.
- Posizionare il prodotto su una superficie stabile non pavimentata, come l'erba. Non installare il prodotto su cemento, asfalto o altre superfici dure.
- È necessario vietare la presenza di oggetti e altri ostacoli che possano interferire con l'utilizzo del prodotto.
- Posizionare il prodotto in modo che gli accessori (ad esempio le altalene) non siano orientati direttamente verso la piena esposizione al sole.

### Installazione sicura

È vietato realizzare combinazioni diverse da quelle prescritte, elencate sul nostro sito web e nell'allegato "Combinazioni consentite". Il prodotto deve essere assemblato secondo le istruzioni di montaggio. Esaminare il prodotto assemblato prima del primo utilizzo.

Il prodotto è dotato di fissaggi con dadi autobloccanti. Questi dadi autobloccanti sono monouso e devono essere sostituiti quando si smonta e si reinstalla il prodotto.

- Il prodotto deve essere assemblato seguendo i passaggi dettati alle pagine 9-22.
- Il prodotto non deve essere installato su cemento, asfalto o altre superfici dure.
- Il telaio inferiore deve essere interrato secondo le istruzioni di installazione per ridurre i rischi di ribaltamento. Prestare particolare attenzione alla profondità di installazione obbligatoria.
- Il bullone indicato al punto 21 del Manuale di montaggio deve trovarsi al livello del suolo o più in basso per ottenere la profondità minima di installazione.
- L'aggiunta di accessori deve essere effettuata secondo le istruzioni del produttore.
- Quando si installa la rete di arrampicata, assicurarsi che non vi sia alcun rischio di intrappolamento.

### Uso sicuro per il **Play**

Per ulteriori illustrazioni, consultare pagina 26.

- La distanza minima tra l'elemento oscillante e il suolo deve essere di 35 cm (14").
- La distanza minima tra due elementi di oscillazione separati deve essere di 45 cm (18").
- La distanza minima tra l'elemento oscillante e il telaio deve essere di 30 cm (12").
- La distanza minima tra singoli elementi di oscillazione (anelli, dischi) deve essere di 60 cm (24").
- Gli elementi di oscillazione devono essere regolati come spiegato nel Manuale di montaggio a pagina 23 per ottenere le distanze minime.
- La rete di arrampicata deve essere installata come spiegato a pagina 24 per evitare intrappolamenti.
- Non combinare elementi oscillanti con la rete da arrampicata M/L.
- Non collegare a questo prodotto elementi aggiuntivi, come corde, catene, corde pesanti o altri oggetti.
- Aggiungere al telaio solo i componenti aggiuntivi indicati nel documento allegato. Non combinare prodotti di altri produttori con questo prodotto perché potrebbero creare rischi per la sicurezza.

### Uso sicuro per lo **Sports**

Per ulteriori illustrazioni, consultare pagina 26.

- Utilizzare il sacco da boxe solo in posizioni in cui è possibile rispettare uno spazio di movimento di 180 cm (31").

### Uso sicuro per i **Lounge**

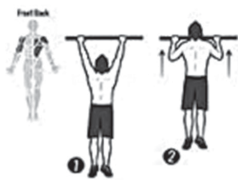
Per ulteriori illustrazioni, consultare pagina 26.

- È vietato arrampicarsi sul telaio quando l'amaca è fissata.
- L'amaca e tutte le parti dell'attacco devono essere rimosse se il telaio viene utilizzato con attrezzature per il fitness all'aperto o accessori giocattolo.
- Non utilizzare l'amaca/sedile sospeso se le parti sono danneggiate o perse.

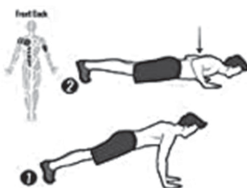
## Istruzioni di esercizio

Il prodotto può essere utilizzato come attrezzatura fitness da esterno per uso domestico. Eseguire gli esercizi sempre in modo controllato. Non eseguire

esercizi troppo difficili per il proprio livello. Ecco alcuni esercizi per iniziare:



**Pull-Up**



**Push-Up**



**Hanging Knee Raise**



**Plank**



**Side-to-Side Pull-Up**



**Wall Squat**

## Manutenzione

Per garantire la sicurezza degli utenti, il prodotto deve essere sottoposto alle ispezioni di sicurezza e alle istruzioni di manutenzione indicate di seguito. Se i controlli non vengono eseguiti regolarmente, il prodotto potrebbe ribaltarsi o diventare pericoloso.

- Non devono esserci oggetti od oggetti appuntiti sul pavimento sotto l'unità e nell'area di movimento.
- Controllare la tenuta di tutti i dadi e i bulloni e serrarli quando necessario.
- I componenti mancanti o usurati devono essere sostituiti o riparati immediatamente.
- Oliate tutte le parti metalliche in movimento.
- Controllare tutti i rivestimenti per verificare la

presenza di bulloni e bordi taglienti e sostituirli se necessario.

- Controllare che i sedili dell'altalena, le catene, le funi e gli altri mezzi di fissaggio non presentino segni di deterioramento.
- Sostituire le parti difettose secondo le istruzioni del produttore.
- I giunti di oscillazione sono fissati su un lato: Occorre prestare particolare attenzione al controllo dei punti di sospensione e alla loro immediata sostituzione in caso di danni visibili.
- Seguire le linee guida locali per lo smaltimento di tutti i materiali.

	Prima di ogni utilizzo	Mensilmente	Prima di ogni stagione
Telaio, dadi e bulloni	Controllare eventuali danni visibili	Verificare che i raccordi siano ben saldi e, se necessario, serrarli nuovamente	Ispezionare approfonditamente i raccordi del telaio
Punti di sospensione	Ispezionare la condizione dei punti di sospensione. Sostituire immediatamente in caso di necessità	Oliare i punti di sospensione	Ispezionare l'approfondita dei punti di sospensione. Sostituire immediatamente in caso di necessità
Accessori	Controllare le condizioni	Controllare l'usura	Verificare lo stato di usura e sostituire i componenti se necessario

## Garanzia

### *Periodo di garanzia*

I prodotti BERG sono di qualità eccellente. Per garantirvi anni di divertimento senza pensieri con i nostri prodotti, BERG vi offre una garanzia di funzionalità. La garanzia di funzionalità è una garanzia sull'uso funzionale. Per la durata della garanzia, consultare la tabella sottostante.

- Sono escluse dalla garanzia le parti soggette a usura (come le corde), le influenze degli agenti atmosferici (come ruggine e scolorimento) e le parti in schiuma.
- Consultare il sito [www.berg.com](http://www.berg.com) per le norme di garanzia più ampie.

### *Condizioni di garanzia*

Il proprietario del prodotto può richiedere la garanzia solo presentando la ricevuta originale dell'acquisto. La garanzia si applica solo ai difetti di materiale e di costruzione e per quanto riguarda questo prodotto o parti di esso.

Telaio	10
Telaio (dopo la registrazione)	13
Componenti e accessori	3

### *La garanzia decade se:*

- Il prodotto viene utilizzato in modo improprio e/o negligente.
- Il prodotto viene interrato in modo improprio?
- Il prodotto non viene assemblato e mantenuto secondo le istruzioni per l'uso.
- Le riparazioni tecniche del prodotto non vengono eseguite a regola d'arte.
- Le parti di ricambio non corrispondono alle specifiche tecniche del prodotto in questione o sono installate in modo non corretto.
- Le parti montate successivamente non corrispondono alle specifiche tecniche del prodotto in questione o non sono state montate correttamente.
- Le parti aggiunte o sostituite non sono ricambi o accessori ufficiali BERG.
- Il prodotto è stato utilizzato a scopo di noleggio o messo a disposizione di terzi.

# ***ANDIAMO!***

# DANSK

**Vær opmærksom på!** Denne manual er egnet til flere typer produkter. Når du læser manualen, skal du være opmærksom på, hvilke oplysninger der gælder for dit produkt.

## Advarsler

### Generelle advarsler:

- Produktet skal samles i overensstemmelse med monteringsvejledningen.
- Skal samles af en voksen.
- Læs instruktionerne før første brug, og gem dem til senere brug.
- Kun til husholdningsbrug.
- Kun til udendørs brug.

- Fare for fald - rammehøjde på 245 cm (8').
- Kvælningsfare - små dele i usamlet tilstand.
- Kvælningsfare - løse reb kan forårsage kvælning.

- Den maksimale brugervægt på produktet er 100 kg (220 lbs).
- Den maksimale belastning for hele produktet er 400 kg (880 lbs).
- Den maksimale brugervægt for hvert tilbehør er angivet i den pågældende produktmanual.

- Brug af produktet under påvirkning af alkohol eller stoffer er forbudt.
- Produktet kan blive varmt i direkte sollys, vær forsigtig.
- Hold ild og andre varmekilder væk fra produktet.
- Brug ikke produktet, når det er vådt.
- Genstande og andre forhindringer, der kan forstyrre brugen af produktet, skal fjernes fra anvendelsesområdet.

*Tilføj kun de tilføjelser, der henvises til i det vedlagte dokument "Allowed Combination" til rammen. Kombiner ikke produkter fra andre producenter med dette produkt, da det kan skabe sikkerhedsrisici.*

### Advarsler om Play:

- Ikke egnet til børn under 3 år. Fare for fald - rammehøjde på 245 cm. Kvælningsfare - løse reb kan forårsage kvælning. Kvælningsfare - små dele i usamlet tilstand. Kontinuerligt voksentsyn påkrævet.
- Bruger alderen for brug af BERG Playbase Baby seat

(20.20.00.00) er 9 til 36 måneder.

- Kontinuerligt voksensyn påkrævet.
- Det er forbudt at klatre over rammen under alle andre aktiviteter på produktet (f.eks. klatring).



### Advarsler om Sport:

- Egnet til børn fra 14 år og opefter eller en totalhøjde på mere end 140 cm (4' 7").
- Brug kun dette produkt, når din egen helbredstilstand tillader sikker brug.
- Undgå overanstrengelse, når du bruger udstyret.
- Brug kun boksæsækken i positioner, hvor 80 cm (31") bevægelsesfrihed kan overholdes.
- Det er forbudt at bruge klatrenettet, når man træner med boksæsækken.



### Advarsler om **Lounge**:

- Kontinuerligt voksentilsyn påkrævet.
- Ikke egnet til børn under 3 år
- Hængekøjer er ikke gynger.
- Det er forbudt at klatre over stellet, når der er monteret en hængekøje.



## Retningslinjer for brugeren

BERG eller forhandleren kan ikke holdes ansvarlig for ukorrekt brug af dette produkt. Af sikkerhedsmæssige årsager er modifikationer eller ændringer af produktet forbudt, medmindre de er godkendt af BERG.

Brug kun dette produkt som anvist i denne manual. Enhver uautoriseret brug kan resultere i alvorlig personskade på brugeren eller beskadige produktet.

### Sikkert anvendelsesområde **Generelt**

Se side 18 for yderligere illustrationer.

- Produktet skal placeres plant og med en minimumsafstand på mindst 2,2 meter fra enhver struktur eller forhindring som f.eks. et hegn, en garage, et hus, udhængende grene, vasketøjsnøre eller elektriske ledninger.
- Placer produktet på en ubefæstet, stabil overflade som f.eks. græs. Installer ikke dit produkt på beton, asfalt eller andre hårde overflader.
- Genstande og andre forhindringer, der kan forstyrre brugen af produktet, bør ikke være i nærheden af anvendelsesområdet.
- Placer produktet på en måde, så tilbehør (f.eks. gynger) ikke vender direkte mod fuld sollys.

### Sikker installation

Det er forbudt at lave andre kombinationer end de foreskrevne kombinationer, der er angivet på vores hjemmeside og i den vedhæftede "Tilladte kombinationer". Produktet skal samles i overensstemmelse med monteringsvejledningen. Gennemgå det samlede produkt før første ibrugtagning.

Vær opmærksom på, at produktet har fastgørelser med selvslående møtrikker. Disse selvslående møtrikker er kun til engangsbrug og skal udskiftes, når produktet afmonteres og genmonteres.

- Produktet skal samles i henhold til de detaljerede trin på side 9-22.
- Produktet må ikke installeres på beton, asfalt eller andre hårde overflader.
- Bundrammen skal nedgraves i henhold til installationsvejledningen for at reducere risikoen for, at den vælter. Vær særlig opmærksom på den obligatoriske installationsdybde.
- Bolten, der er angivet i trin 21 i monteringsvejledningen, skal være i jordhøjde eller lavere for at opnå den minimale installationsdybde.
- Tilføjelse af tilbehør skal udføres i henhold til producentens anvisninger.
- Ved montering af klatrenettet skal det sikres, at der ikke er risiko for fastklemning.

### Sikker brug til **Play**

Se side 26 for yderligere illustrationer.

- Minimumsafstanden mellem gyngeelementet og jorden skal være 35 cm (14").
- Minimumsafstanden mellem to separate gyngeelementer skal være 45 cm (18").
- Minimumsafstanden mellem svingelementet og rammen skal være 30 cm (12").
- Den minimale afstand mellem enkelte svingelementer (ringe, skiver) skal være 60 cm (24").
- Svingelementerne skal justeres som forklaret i monteringsvejledningen på side 23 for at opnå de minimale afstande.
- Klatrenettet skal installeres som forklaret på side 24 for at undgå fastklemning.
- Kombiner ikke svingelementer med Klatrenet M/L.
- Fastgør ikke ekstra genstande til dette produkt, såsom reb, kæder, tunge snore eller andre genstande.
- Tilføj kun de tilføjelser, der er nævnt i det vedhæftede dokument, til rammen. Kombiner ikke produkter fra andre producenter med dette produkt, da det kan skabe sikkerhedsrisici.

### Sikker brug til **Sports**

Se side 26 for yderligere illustrationer.

- Brug kun boksæsken på steder, hvor 80 cm (31") bevægelsesfrihed kan overholdes.

### Sikker brug til **Lounge**

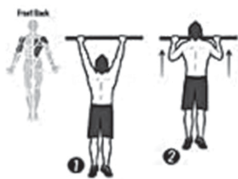
Se side 26 for yderligere illustrationer.

- Det er forbudt at klatre over stellet, når hængekøjen er fastgjort.
- Hængekøjen og alle dele af fastgørelsen skal fjernes, hvis stellet bruges med udendørs fitnessudstyr eller legetøjstilbehør.
- Brug ikke hængekøjen / hængesædet, hvis dele er beskadiget eller bortkommet.

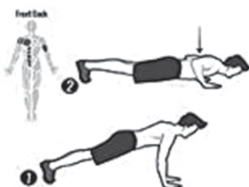
## Træningsinstruktioner

Produktet kan bruges som udendørs fitnessudstyr til hjemmbrug. Udfør altid øvelser på en kontrolleret

måde. Udfør ikke nogen øvelse, der er for svær til dig. Her er nogle øvelseseksempler, der får dig i gang:



**Pull-Up**



**Push-Up**



**Hanging Knee Raise**



**Plank**



**Side-to-Side Pull-Up**



**Wall Squat**

## Vedligeholdelse

For at garantere sikkerheden for brugerne af produktet skal produktet underkastes de sikkerhedskontroller og vedligeholdelsesinstruktioner, der er nævnt nedenfor. Hvis kontrollerne ikke udføres regelmæssigt, kan produktet vælte eller på anden måde udgøre en fare.

- Der må ikke være genstande/skarpe genstande på gulvet under enheden og i bevægelsesområdet.
- Kontrollér, at alle møtrikker og bolte er spændt, og efterspænd dem, hvis det er nødvendigt.
- Manglende eller slidte komponenter skal udskiftes eller repareres med det samme.
- Smør alle bevægelige metaldele med olie.

- Kontrollér alle beklædninger for bolte og skarpe kanter, og udskift dem efter behov.
- Kontrollér gyngesæder, kæder, reb og andre fastgørelsesanordninger for tegn på forringelse.
- Udskift defekte dele i overensstemmelse med producentens anvisninger.
- Svingleddene er fastgjort på den ene side: Vær særlig opmærksom på at kontrollere ophængspunkterne og udskift dem straks, hvis der er synlige skader.
- Følg de lokale retningslinjer for bortskaffelse af alle materialer.

	Før hver brug	Månedligt	Begyndelsen af hver sæson
Ramme, møtrikker & bolte	Tjek for synlige skader	Kontroller, om samlingerne er tætte, og stram dem om nødvendigt	Undersøg rammesamlingerne grundigt
Ophængspunkter	Undersøg ophængspunkternes tilstand. Udskift straks, hvis det er nødvendigt	Smør ophængspunkterne	Grundig inspektion af ophængspunkter. Udskift straks, hvis det er nødvendigt
Tilbehør	Tjek tilstand	Kontroller for slitage	Kontroller for slitage og udskift om nødvendigt

## Garanti

### Garantiperiode

BERG-produkter er af fremragende kvalitet. For at give dig mange års ubekymret sjov med vores produkter, tilbyder BERG dig en funktionsgaranti. En funktionsgaranti er en garanti vedrørende funktionel brug. Se venligst nedenstående tabel for garantiens løbetid.

- Dele, der er udsat for slitage (f.eks. reb), vejrpåvirkninger (f.eks. rust og misfarvning) og skumdele, er ikke omfattet af garantien.
- Se [www.berg.com](http://www.berg.com) for omfattende garantibestemmelser.

### Betingelser for garanti

Ejeren af produktet kan kun gøre krav på garanti ved at fremvise den originale kvittering for købet. Garantien gælder kun for materiale- og konstruktionsfejl og med hensyn til dette produkt eller dele deraf.

Ramme	10
Ramme (efter registrering)	13
Komponenter & tilbehør	3

### Garantien bliver ugyldig, hvis:

- Produktet anvendes ukorrekt og/eller uagtsomt.
- Produktet er nedgravet forkert?
- Produktet ikke er samlet og vedligeholdt i overensstemmelse med brugsanvisningen.
- Tekniske reparationer på produktet ikke er udført på en professionel måde.
- Udskiftningsdele svarer ikke til de tekniske specifikationer for det pågældende produkt eller er installeret forkert.
- Eftermonterede dele opfylder ikke de tekniske specifikationer for det pågældende produkt eller er ikke blevet monteret korrekt.
- Tilføjede dele eller udskiftede dele er ikke officielle BERG-reservedele eller -tilbehør.
- Produktet er blevet brugt til udlejningsformål eller stillet til rådighed for brug af en tredjepart.

# ***VI GÅR!***

# SVENSKA

**Observera!** Denna manual är lämplig för flera typer av produkter. När du läser manualen, var uppmärksam på vilken information som gäller för din produkt.

## Varningar

### Allmänna varningar:

- Produkten ska monteras i enlighet med monteringsanvisningen.
- Montering krävs av vuxen.
- Läs instruktionerna före första användning och spara dem för framtida referens.
- Endast för hushållsbruk.
- Endast för utomhusbruk.

- Fallrisk - ramhöjd 245 cm (8').
- Kvävningsrisk - små delar i omonterat tillstånd.
- Strypningsrisk - lösa rep kan orsaka strypning.

- Den maximala användarvikten på produkten är 100 kg (220 lbs).
- Den maximala belastningen för hela produkten är 400 kg (880 lbs).
- Den maximala användarvikten per tillbehör anges i manualen för den specifika produkten.

- Användning av produkten under påverkan av alkohol eller droger är förbjuden.
- Produkten kan bli varm i direkt solljus, var försiktig.
- Håll eld och andra värmekällor borta från produkten.
- Använd inte produkten när den är våt.
- Föremål och andra hinder som kan störa användningen av produkten ska hållas borta från användningsområdet.

Montera endast de tillägg som anges i det bifogade dokumentet "Allowed Combinations" på ramen. Kombinera inte produkter från andra tillverkare med denna produkt eftersom de kan skapa säkerhetsrisker.

### Varningar för Play:

- Ej lämplig för barn under 3 år. Fallrisk - ramhöjd 245 cm. Strypningsrisk - lösa rep kan orsaka strypning. Risk för kvävning - små delar i omonterat skick. Kontinuerlig tillsyn av vuxen krävs. Kontinuerlig tillsyn av vuxen krävs.
- Användaråldern för användning av BERG Playbase babyskydd (20.20.00.00) är 9 till 36 månader.

- Kontinuerlig tillsyn av vuxen krävs.
- Det är förbjudet att klättra över ramen under alla andra aktiviteter på produkten (t.ex. klättring).



### Varningar för Sport:

- Lämplig för barn från 14 år och äldre eller total längd mer än 140 cm (4' 7").
- Använd endast denna produkt när ditt eget medicinska tillstånd tillåter det att använda den säkert.
- Undvik överansträngning när du använder utrustningen.
- Använd boxningssäcken endast på platser där 80 cm (31") rörelseutrymme kan uppfyllas.
- Det är förbjudet att använda klätternätet vid träning med boxningssäcken.



### Varningar för **Lounge**:

- Kontinuerlig tillsyn av vuxen krävs.
- Ej lämplig för barn under 3 år
- Hängmattor är inte gunganordningar.
- Det är förbjudet att klättra över ramen när en hängmatta är fastsatt.



## Riktlinjer för användare

BERG eller återförsäljaren kan inte hållas ansvariga för felaktig användning av denna produkt. Av säkerhetsskäl är modifieringar eller ändringar av produkten förbjudna, såvida de inte godkänts av BERG.

Använd endast denna produkt enligt instruktionerna i denna handbok. All obehörig användning kan leda till allvarliga skador på användaren eller skada produkten.

### *Säkert användningsområde* **Allmänt**

Se sidan 18 för ytterligare illustrationer.

- Produkten måste placeras plant och med ett minsta avstånd på minst 2,2 meter från alla strukturer eller hinder, t.ex. staket, garage, hus, överhängande grenar, tvättlinor eller elledningar.
- Placera produkten på en obelagd stadig yta, t.ex. gräs. Installera inte produkten på betong, asfalt eller något annat hårt underlag.
- Föremål och andra hinder som kan störa användningen av produkten bör inte placeras i närheten av användningsområdet.
- Placera produkten så att tillbehör (t.ex. gungor) inte är riktade direkt mot solen.

### *Säker installation*

Det är förbjudet att göra andra kombinationer än de föreskrivna kombinationer som anges på vår webbplats och i bifogade "Tillåtna kombinationer". Produkten ska monteras i enlighet med monteringsanvisningarna. Granskadenmonteradeproduktenföreförstaanvändning.

Observera att produkten har fästen med självlåsande muttrar. Dessa självlåsande muttrar är endast avsedda för engångsbruk och måste bytas ut vid demontering och återmontering av produkten.

- Produkten måste monteras enligt de detaljerade stegen på sidorna 9-22.
- Produkten får inte installeras över betong, asfalt eller något annat hårt underlag.
- Bottenramen måste grävas ner enligt installationsanvisningarna för att minska tipprisken. Var särskilt uppmärksam på det obligatoriska installationsdjupet.
- Den bult som anges i steg 21 i monteringsanvisningen ska vara på marknivå eller lägre för att uppnå det minimala installationsdjupet.
- Montering av tillbehör måste utföras enligt tillverkarens anvisningar.
- Vid installation av klätternät, se till att det inte finns någon risk för att fastna.

### *Säker användning för* **Play**

Se sidan 26 för ytterligare illustrationer.

- Minsta avstånd mellan gungelementet och marken måste vara 35 cm (14").
- Minsta avstånd mellan två separata gungelement måste vara 45 cm (18").
- Det minsta avståndet mellan gungan och ramen måste vara 30 cm (12").
- Det minsta avståndet mellan enskilda svängningselement (ringar, skivor) måste vara 60 cm (24").
- Gungelementen måste justeras enligt anvisningarna i Monteringshandboken på sidan 23 för att uppnå de minimala avstånden.
- Klätternätet måste installeras enligt förklaringen på sidan 24 för att undvika att någon fastnar
- Kombinera inte några svängelement med klätternätet M/L
- Fäst inga extra föremål på denna produkt, t.ex. rep, kedjor, tunga snören eller andra föremål.
- Montera endast de tillägg som nämns i det bifogade dokumentet på ramen. Kombinera inte produkter från andra tillverkare med denna produkt eftersom de kan skapa säkerhetsrisker.

### *Safe use for* **Sports**

Se sidan 26 för ytterligare illustrationer.

- Använd boxningssäcken endast på positioner där 80 cm (31") rörelseutrymme kan uppfyllas.

### *Safe use for* **Lounge**

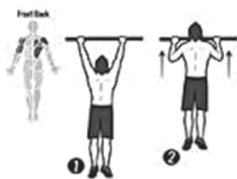
Se sidan 26 för ytterligare illustrationer.

- Det är förbjudet att klättra över ramen när hängmattan är monterad.
- Hängmattan och alla delar av fästet måste tas bort om ramen används med träningsutrustning för utomhusbruk eller leksakstillbehör.
- Använd inte hängmattan/hängsätet om delar är skadade eller borttappade.

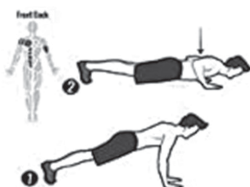
## Träningssinstruktioner

Produkten kan användas som utomhusträningssutrustning för hemmabruk. Utför alltid alla träningsmoment på ett

kontrollerat sätt. Gör ingen träning som är för svår för dig. Här är några tränings exempel som får dig i gång:



**Pull-Up**



**Push-Up**



**Hanging Knee Raise**



**Plank**



**Side-to-Side Pull-Up**



**Wall Squat**

## Underhåll

ör att garantera säkerheten för användarna av produkten måste produkten genomgå de säkerhetskontroller och underhållsinstruktioner som anges nedan. Om kontrollerna inte utförs regelbundet kan produkten välta eller på annat sätt utgöra en fara.

- Det får inte finnas några föremål / vassa föremål på golvet under enheten och i rörelseområdet.
- Kontrollera att alla muttrar och bultar är åtdragna och dra åt vid behov.
- Saknade eller slitna komponenter måste omedelbart bytas ut eller repareras.
- Olja in alla rörliga metalldelar.

- Kontrollera om det finns bultar och vassa kanter på alla överdrag och byt ut dem vid behov.
- Kontrollera om gungstolar, kedjor, rep och andra fästansordningar är slitna.
- Byt ut defekta delar i enlighet med tillverkarens anvisningar.
- Gunglederna är fixerade på ena sidan: Kontrollera särskilt upphängningspunkterna och byt omedelbart ut dem om det finns synliga skador.
- Följ de lokala anvisningarna för avfallshantering av allt material.

	Före varje användning	Varje månad	I början av varje säsong
Ram, muttrar och bultar	Kontrollera eventuell synlig skada	Kontrollera om kopplingarna är spända och spänn dem vid behov.	Kontrollera ramens kopplingar noggrant
Upphängningspunkter	Kontrollera upphängningspunkternas tillstånd. Ersätt genast vid behov.	Olja upphängningspunkter	Noggrann kontroll av upphängningspunkternas tillstånd. Ersätt genast vid behov.
Tillbehör	Kontrollera tillståndet	Kontrollera eventuellt slitage och håll	Kontrollera eventuellt slitage och håll och ersätt vid behov

## Garanti

### Garantitid

BERG-produkter är av utmärkt kvalitet. För att ge dig många års bekymmersfri användning av våra produkter erbjuder BERG dig en funktionsgaranti. En funktionsgaranti är en garanti som gäller funktionell användning. Se tabellen nedan för hur länge denna garanti gäller.

- Delar som kan utsättas för slitage (t.ex. rep), väderpåverkan (t.ex. rost och missfärgning) och skumdelar omfattas inte av garantin.
- Se [www.berg.com](http://www.berg.com) för omfattande garantibestämmelser.

### Villkor för garanti

Produktens ägare kan endast göra anspråk på garanti genom att visa upp originalkvittot för inköpet. Garantin gäller endast för material- och konstruktionsfel och med avseende på denna produkt eller delar därav

Ram	10
Ram (efter registrering)	13
Komponenter och tillbehör	3

### Garantin blir ogiltig om:

- Produkten används felaktigt och/eller oaktsamt.
- Produkten är felaktigt nedgrävd?
- Produkten inte monteras och underhålls i enlighet med instruktionsboken.
- Tekniska reparationer av produkten inte utförs på ett fackmannamässigt sätt.
- Ersättningsdelar motsvarar inte den aktuella produktens tekniska specifikationer eller är felaktigt installerade.
- Eftermonterade delar uppfyller inte de tekniska specifikationerna för den aktuella produkten eller har inte monterats korrekt.
- Tillagda delar eller utbytta delar är inga officiella BERG-reservdelar eller tillbehör.
- Produkten har använts för uthyrning eller gjorts tillgänglig för användning av en tredje part.

# ***VI GÅR!***

# NORSK

**Vær opmærksom på!** Denne manual er egnet til flere typer produkter. Når du læser manualen, skal du være opmærksom på, hvilke oplysninger der gælder for dit produkt.

## Advarsler

### Generelle advarsler:

- Produktet skal samles i overensstemmelse med monteringsvejledningen.
- Må monteres af en voksen.
- Læs instruktionerne før første brug, og gem dem til senere brug.
- Kun til brug i hjemmet.
- Kun til udendørs brug.

- Fare for fald - rammehøjde på 245 cm (8').
- Kvælningsfare - små dele i usamlet tilstand.
- Kvælningsfare - løse reb kan forårsage kvælning.

- Den maksimale brugervægt på produktet er 100 kg (220 lbs).
- Den maksimale belastning for hele produktet er 400 kg (880 lbs).
- Den maksimale brugervægt for hvert tilbehør er angivet i den pågældende produktmanual.

- Brug af produktet under påvirkning af alkohol eller stoffer er forbudt.
- Produktet kan blive varmt i direkte sollys, vær forsigtig.
- Hold ild og andre varmekilder væk fra produktet.
- Brug ikke produktet, når det er vådt.
- Genstande og andre forhindringer, der kan forstyrre brugen af produktet, skal fjernes fra anvendelsesområdet.

Tilføj kun de tilføjelser, der henvises til i det vedlagte dokument "Allowed Combinations" til rammen. Kombiner ikke produkter fra andre producenter med dette produkt, da det kan skabe sikkerhedsrisici.

### Advarsler om **Play**:

- Ikke egnet for barn under 3 år. Fallfare - rammehøjde på 245 cm. Kvelningsfare - løse tau kan forårsage kvelning. Kvelningsfare - små dele i umontert tilstand. Kontinuerlig tilsyn av en voksen er påkrævd. Kontinuerligt voksenopsyn påkrævet.

- Aldersgrensen for bruk av BERG Playbase Babystol (20.20.00.00) er 9 til 36 måneder.
- Kontinuerlig tilsyn av en voksen kreves.
- Det er forbudt at klatre over rammen under alle andre aktiviteter på produktet (f.eks. klatring).



### Advarsler om **Sport**:

- Egnet til børn fra 14 år og opefter eller en totalhøjde på mere end 140 cm (4' 7").
- Brug kun dette produkt, når din egen helbredstilstand tillader sikker brug.
- Undgå overanstrengelse, når du bruger udstyret.
- Brug kun boksæsækken i positioner, hvor 80 cm (31") bevægelsesfrihed kan overholdes.
- Det er forbudt at bruge klatrenettet, når man træner med boksæsækken.



### Advarsler om **Lounge**:

- Kontinuerlig tilsyn av en voksen kræves.
- Ikke egnet for barn under 3 år
- Hængekøjer er ikke gynger.
- Det er forbudt at klatre over stellet, når der er monteret en hængekøje.



## Retningslinjer for brugeren

BERG eller forhandleren kan ikke holdes ansvarlig for ukorrekt brug af dette produkt. Af sikkerhedsmæssige årsager er modifikationer eller ændringer af produktet forbudt, medmindre de er godkendt af BERG.

Brug kun dette produkt som anvist i denne manual. Enhver uautoriseret brug kan resultere i alvorlig personskade på brugeren eller beskadige produktet.

### Sikkert anvendelsesområde **Generelt**

Se side 18 for yderligere illustrationer.

- Produktet skal placeres plant og med en minimumsafstand på mindst 2,2 meter fra enhver struktur eller forhindring som f.eks. et hegn, en garage, et hus, udhængende grene, vasketøjsnøre eller elektriske ledninger.
- Placer produktet på en ubefæstet, stabil overflade som f.eks. græs. Installer ikke dit produkt på beton, asfalt eller andre hårde overflader.
- Genstande og andre forhindringer, der kan forstyrre brugen af produktet, bør ikke være i nærheden af anvendelsesområdet.
- Placer produktet på en måde, så tilbehør (f.eks. gynger) ikke er rettet direkte mod fuld sollys.

### Sikker installation

Det er forbudt at lave andre kombinationer end de foreskrevne kombinationer, der er angivet på vores hjemmeside og i den vedhæftede "Tilladte kombinationer". Produktet skal samles i overensstemmelse med monteringsvejledningen. Gennemgå det samlede produkt før første brug.

Vær opmærksom på, at produktet har fastgørelser med selvslående møtrikker. Disse selvslående møtrikker er kun til engangsbrug og skal udskiftes, når produktet afmonteres og genmonteres.

Produktet skal samles i henhold til de detaljerede trin på side 9-22.

- Produktet må ikke installeres på beton, asfalt eller andre hårde overflader.
- Bundrammen skal nedgraves i henhold til installationsvejledningen for at reducere risikoen for, at den vælter. Vær særlig opmærksom på den obligatoriske installationsdybde.
- Bolten, der er angivet i trin 21 i monteringsvejledningen, skal være i jordhøjde eller lavere for at opnå den minimale installationsdybde.
- Tilføjelse af tilbehør skal udføres i henhold til producentens anvisninger.
- Ved montering af klatrenettet skal det sikres, at der ikke er risiko for fastklemning.

### Sikker brug til **Play**

Se side 26 for yderligere illustrationer.

- Minimumsafstanden mellem gyngeelementet og jorden skal være 35 cm (14").
- Minimumsafstanden mellem to separate gyngeelementer skal være 45 cm (18").
- Minimumsafstanden mellem svingelementet og rammen skal være 30 cm (12").
- Den minimale afstand mellem enkelte svingelementer (ringe, skiver) skal være 60 cm (24").
- Svingelementerne skal justeres som forklaret i monteringsvejledningen på side 23 for at opnå de minimale afstande.
- Klatrenettet skal installeres som forklaret på side 24 for at undgå fastklemning.
- Kombiner ikke svingelementer med Klatrenet M/L.
- Fastgør ikke ekstra genstande til dette produkt, såsom reb, kæder, tunge snore eller andre genstande.
- Tilføj kun de tilføjelser, der er nævnt i det vedhæftede dokument, til rammen. Kombiner ikke produkter fra andre producenter med dette produkt, da det kan skabe sikkerhedsrisici.

### Sikker brug til **Sports**

Se side 26 for yderligere illustrationer.

- Brug kun boksesækken på steder, hvor 80 cm (31") bevægelsesfrihed kan overholdes.

### Sikker brug til **Lounge**

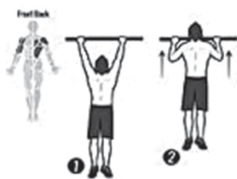
Se side 26 for yderligere illustrationer.

- Det er forbudt at klatre over stellet, når hængekøjen er monteret.
- Hængekøjen og alle dele af fastgørelsen skal fjernes, hvis stellet bruges sammen med udendørs fitnessudstyr eller legetøjstilbehør.
- Brug ikke hængekøjen / hængesædet, hvis dele er beskadiget eller bortkommet.

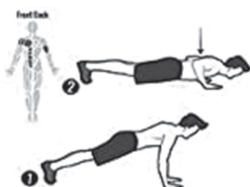
## Treningsinstruksjoner

Produktet kan brukes som utendørs treningsutstyr til hjemmebruk. Utfør alltid treningen på en kontrollert

måte. Ikke utfør trening som er for vanskelig for deg. Her er noen treningseksempler som kan få deg i gang:



**Pull-Up**



**Push-Up**



**Hanging Knee Raise**



**Plank**



**Side-to-Side Pull-Up**



**Wall Squat**

## Vedligeholdelse

For at garantere sikkerheden for brukerne af produktet skal produktet underkastes de sikkerhedskontroller og vedligeholdelsesinstruksjoner, der er nævnt nedenfor. Hvis kontrollerne ikke udføres regelmæssigt, kan produktet vælte eller på anden måde udgøre en fare.

- Der må ikke være genstande/skarpe genstande på gulvet under enheden og i bevegelsesområdet.
- Kontrollér, at alle møtrikker og bolte er spændt, og efterspænd dem, hvis det er nødvendigt.
- Manglende eller slidte komponenter skal udskiftes eller repareres med det samme.
- Smør alle bevægelige metaldele med olie.

- Kontrollér alle beklædninger for bolte og skarpe kanter, og udskift dem efter behov.
- Kontrollér gyngesæder, kæder, reb og andre fastgørelsesanordninger for tegn på forringelse.
- Udskift defekte dele i overensstemmelse med producentens anvisninger.
- Svingleddene er fastgjort på den ene side: Vær særlig opmærksom på at kontrollere ophængspunkterne og udskift dem straks, hvis der er synlige skader.
- Følg de lokale retningslinjer for bortskaffelse af alle materialer.

	Før hver bruk	Månedlig	I begynnelsen av hver sesong
Rammer, muttere og bolter	Se etter synlige skader	Kontroller om tilkoblingene er stramme og stram dem om nødvendig	Kontroller rammetilkoblingene grundig
Suspensjonspunkter	Kontroller suspensjonspunkter. Erstatt umiddelbart om nødvendig	Olje suspensjonspunktene	Grundig inspeksjon av suspensjonspunkter. Erstatt umiddelbart om nødvendig
Tilbehør	Kontroller tilstand	Kontroller slitasje	Se etter slitasje og skift ut om nødvendig

## Garanti

### Garantiperiode

BERG-produkter er af fremragende kvalitet. For at give dig mange års ubekymret sjov med vores produkter, tilbyder BERG dig en funktionsgaranti. En funktionsgaranti er en garanti vedrørende funktionel brug. Se venligst nedenstående tabel for garantiens løbetid.

- Dele, der er udsat for slitage (f.eks. reb), vejrpåvirkninger (f.eks. rust og misfarvning) og skumdele, er ikke omfattet af garantien.
- Se [www.berg.com](http://www.berg.com) for omfattende garantibestemmelser.

### Betingelser for garanti

Ejeren af produktet kan kun gøre krav på garanti ved at fremvise den originale kvittering for købet. Garantien gælder kun for materiale- og konstruktionsfejl og med hensyn til dette produkt eller dele deraf.

Ramme	10
Ramme (etter registrering)	13
Komponenter og tilbehør	3

### Garantien bliver ugyldig, hvis:

- Produktet anvendes ukorrekt og/eller uagtsomt.
- Produktet er nedgravet forkert?
- Produktet ikke er samlet og vedligeholdt i overensstemmelse med brugsanvisningen.
- Tekniske reparationer på produktet ikke er udført på en professionel måde.
- Udskiftningsdele svarer ikke til de tekniske specifikationer for det pågældende produkt eller er installeret forkert.
- Eftermonterede dele opfylder ikke de tekniske specifikationer for det pågældende produkt eller er ikke blevet monteret korrekt.
- Tilføjede dele eller udskiftede dele er ikke officielle BERG-reservedele eller -tilbehør.
- Produktet er blevet brugt til udlejningsformål eller stillet til rådighed for brug af en tredjepart.

# ***VI GÅR!***

# SUOMALAIN

**Huomio!** Tämä käsikirja soveltuu useille tuotetyypeille. Kiinnitä käyttöohjetta lukiessasi huomiota siihen, mitkä tiedot koskevat tuotetta.

## Varoitukset

### *Yleiset varoitukset:*

- Tuote on koottava kokoonpano-ohjeiden mukaisesti.
- Aikuisen kokoonpano vaaditaan.
- Lue ohjeet ennen ensimmäistä käyttökertaa ja säilytä niitä myöhempiä käyttöä varten.
- Vain kotikäyttöön.
- Vain ulkokäyttöön.
- Putoamisvaara - rungon korkeus 245 cm (8').
- Tukehtumisvaara - pienet osat kokoamattomana.
- Kuristumisvaara - löysät köydet voivat aiheuttaa kuristumisen.
- Tuotteen käyttäjän enimmäispaino on 100 kg (220 lbs).
- Koko tuotteen enimmäiskuorma on 400 kg (880 lbs).
- Käyttäjän enimmäispaino lisävarustetta kohden on ilmoitettu kyseisen tuotteen käyttöohjeessa.
- Tuotteen käyttö alkoholin tai huumeiden vaikutuksen alaisena on kielletty.
- Tuote voi kuumentua suorassa auringonvalossa, ole varovainen.
- Pidä tuli ja muut lämmönlähteet kaukana tuotteesta.
- Älä käytä tuotetta, kun se on märkä.
- Esineet ja muut esteet, jotka voivat haitata tuotteen käyttöä, on kiellettävä käyttöalueelta.

Lisää kehykseen vain lisäyksessä "Allowed Combinations" mainituissa lisälaitteissa tarkoitettuja lisälaitteita. Älä yhdistä muiden valmistajien tuotteita tähän tuotteeseen, koska ne voivat aiheuttaa turvallisuusriskejä.

### *Play varoitukset:*

- Ei sovellu alle 3-vuotiaille lapsille. Putoamisvaara - rungon korkeus 245 cm. Kuristumisvaara - löysät köydet voivat aiheuttaa kuristumisen. Tukehtumisvaara - pienet osat kokoamattomana. Vaaditaan jatkuvaa aikuisen valvontaa.
- BERG Playbase Baby -istuimen (20.20.00.00) käyttöikä on 9-36 kuukautta.
- Vaaditaan jatkuvaa aikuisen valvontaa.

- Vaaditaan jatkuvaa aikuisen valvontaa.
- Kehikon yli kiipeäminen on kielletty kaikkien muiden tuotteeseen kohdistuvien toimintojen aikana (esim. kiipeily).



### *Sport varoitukset:*

- Sopii lapsille 14-vuotiaista alkaen tai yli 140 cm (4' 7") kokonaispituus.
- Käytä tätä tuotetta vain, kun oma terveydentilasi sallii sen turvallisen käytön.
- Vältä ylläritusta laitetta käyttäessäsi.
- Käytä nyrkkeilyssäkin vain sellaisissa paikoissa, joissa 80 cm (31") liikkumatila täyttyy.
- Kiipeilyverkon käyttö on kielletty nyrkkeilyssäkin harjoiteltaessa.



### *Lounge varoitukset:*

- Vaaditaan jatkuvaa aikuisen valvontaa.
- Ei sovellu alle 3-vuotiaille lapsille
- Riippumatto ei ole keinulaite.
- Kiipeäminen rungon yli on kielletty, kun riippumatto on kiinnitetty.



## Käyttöohjeet

BERG tai jälleenmyyjä ei ole vastuussa tämän tuotteen virheellisestä käytöstä. Turvallisuussyistä tuotteeseen tehtävät muutokset tai muunnokset ovat kiellettyjä, ellei niitä ole hyväksytty BERGIN toimesta.

Käytä tätä tuotetta vain tässä käyttöohjeessa annettujen ohjeiden mukaisesti. Luvattomasta käytöstä voi aiheutua käyttäjälle vakavia vammoja tai tuote voi vaurioitua.

### Turvallinen käyttöalue **Yleistä**

Katso lisäkuvia sivulta 18.

- Tuote on sijoitettava tasaiselle paikalle ja varmistettava vähintään 2,2 metrin vähimmäisetäisyys kaikista rakenteista tai esteistä, kuten aidasta, autotallista, talosta, ulkonevista oksista, pyykkinaruista tai sähköjohdoista.
- Sijoita tuote päällystämättömälle tasaiselle alustalle, kuten nurmikolle. Älä asenna tuotetta betonin, asfaltin tai muun kovan pinnan päälle.
- Esineet ja muut esteet, jotka voivat haitata tuotteen käyttöä, on kiellettävä käyttöalueelta.
- Sijoita tuote siten, että lisävarusteet (esim. keinut) eivät ole suunnattu suoraan kohti täyttää auringonvaloa.

### Turvallinen asennus

On kiellettyä tehdä muita yhdistelmiä kuin verkkosivuillamme ja liitteenä olevassa "Sallitut yhdistelmät" -luettelossa lueteltuja yhdistelmiä. Tuote on koottava kokoonpano-ohjeiden mukaisesti. Tarkista koottu tuote ennen ensimmäistä käyttöä.

Huomaa, että tuotteessa on kiinnikkeet, joissa on itselukittuvat mutterit. Nämä itselukittuvat mutterit on tarkoitettu vain kertakäyttöön, ja ne on vaihdettava, kun tuote puretaan ja asennetaan uudelleen.

- Tuote on koottava sivujen 9-22 yksityiskohtaisten ohjeiden mukaisesti.
- Tuotetta ei saa asentaa betonin, asfaltin tai muun kovan pinnan päälle.
- Pohjakehys on haudattava asennusohjeiden mukaisesti kaatumisvaaran vähentämiseksi. Kiinnitä erityistä huomiota pakolliseen asennussyvyteen.
- Asennusohjeen vaiheessa 21 ilmoitetun pultin on oltava maanpinnan tasolla tai alempana vähimmäissyvyyden saavuttamiseksi.
- Lisävarusteiden lisääminen on suoritettava valmistajan ohjeiden mukaisesti.
- Kun asennat kiipeilyverkkoa, varmista, että kiinnijäämisen vaaraa ei ole.

### Turvallinen käyttö **Play**

Katso lisäkuvia sivulta 26.

- Keinuelementin ja maanpinnan välisen etäisyyden on oltava vähintään 35 cm (14").
- Kahden erillisen keinuelementin välisen etäisyyden on oltava vähintään 45 cm (18").
- Keinuelementin ja rungon välisen etäisyyden on oltava vähintään 30 cm (12").
- Yksittäisten keinuelementtien (renkaat, kiekko) välisen vähimmäisetäisyyden on oltava 60 cm (24").
- Keinuelementtejä on säädettävä sivulla 23 olevassa kokoonpano-oppaassa selostetulla tavalla, jotta vähimmäisetäisyydet saavutetaan.
- Kiipeilyverkko on asennettava sivulla 24 selostetulla tavalla, jotta vältetään kiinnijäämiseltä.
- Kiipeilyverkkoon M/L ei saa yhdistää mitään keinuelementtejä.
- Älä kiinnitä tähän tuotteeseen ylimääräisiä esineitä, kuten köysiä, ketjuja, raskaita naruja tai muita esineitä.
- Lisää kehukseen vain oheisessa asiakirjassa mainitut lisäosat. Älä yhdistä muiden valmistajien tuotteita tähän tuotteeseen, koska ne voivat aiheuttaa turvallisuusriskejä.

### Turvallinen käyttö **Sports**

Katso lisäkuvia sivulta 26.

- Käytä nyrkkeilysakkiä vain sellaisissa paikoissa, joissa 80 cm (31") liiketila voidaan täyttää.

### Turvallinen käyttö **Lounge**

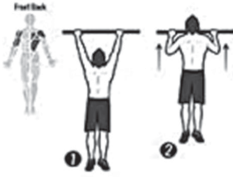
Katso lisäkuvia sivulta 26.

- Rungon yli kiipeäminen on kielletty, kun riippumatto on kiinnitetty.
- Riippumatto ja kaikki kiinnitysosat on poistettava, jos runkoa käytetään ulkokuntolaitteiden tai lelutarvikkeiden kanssa.
- Älä käytä riippumattoa/riippuistuinta, jos osat ovat vaurioituneet tai kadonneet.

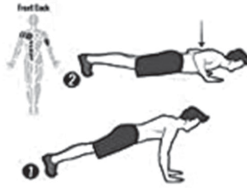
## Harjoitteluohjeet

Tämä laite on ulkokuntoilulaite kotikäyttöön. Tee harjoituksia aina hallitusti. Älä tee harjoituksia,

jotka ovat sinulle liian vaikeita. Tässä on muutamia esimerkkejä, joiden avulla pääset alkuun:



**Pull-Up**



**Push-Up**



**Hanging Knee Raise**



**Plank**



**Side-to-Side Pull-Up**



**Wall Squat**

## Huolto

Tuotteen käyttäjien turvallisuuden varmistamiseksi tuotteelle on tehtävä alla mainitut turvallisuustarkastukset ja huolto-ohjeet. Jos tarkastuksia ei suoriteta säännöllisesti, tuote voi kaatua tai muutoin aiheuttaa vaaraa.

- Lattialla laitteen alla ja liikkumisalueella ei saa olla esineitä / teräviä esineitä.
- Tarkista kaikkien muttereiden ja pulttien kireys ja kiristä tarvittaessa.
- Puuttuvat tai kuluneet osat on vaihdettava tai korjattava välittömästi.
- Öljyä kaikki metalliset liikkuvat osat.

- Tarkista kaikki päällysteet pulttien ja terävien reunojen varalta ja vaihda tarvittaessa.
- Tarkasta keinuistuimet, ketjut, köydet ja muut kiinnitysvälineet, jotta niissä ei ole merkkejä huononemisesta.
- Vaihda vialliset osat valmistajan ohjeiden mukaisesti.
- Keinunivelet on kiinnitetty yhdeltä puolelta: Ripustuspisteiden tarkastamiseen on kiinnitettävä erityistä huomiota ja ne on vaihdettava välittömästi, jos niissä on näkyviä vaurioita.
- Noudata paikallisia ohjeita kaikkien materiaalien hävittämisessä.

	Ennen jokaista käyttöä	Kuukausittain	Jokaisen käyttökerran alussa
Kehikko, mutterit ja pultit	Tarkista näkyvien vaurioiden varalta	Tarkista, että liitokset ovat tiukalla ja kiristä tarvittaessa.	Tarkista kehon liitokset huolellisesti
Ripustuspisteet	Tarkista ripustuspisteiden kunto. Vaihda tarvittaessa välittömästi	Voitele ripustuspisteet	Tarkista ripustuspisteet perusteellisesti. Vaihda tarvittaessa välittömästi
Lisävarusteet	Tarkista kunto	Tarkista kulumisen varalta	Tarkista kulumisen varalta ja vaihda tarvittaessa

# Takuu

## Takuuaika

BERG-tuotteet ovat korkealaatuisia. Jotta voisit nauttia tuotteistamme vuosien ajan huolettomasti, BERG tarjoaa sinulle toiminnallisuustakuun. Toiminnallisuustakuu on takuu toiminnallisesta käytöstä. Katso tämän takuun voimassaoloaika alla olevasta taulukosta.

- Kulumiselle alttiit osat (kuten köydet), sään vaikutukset (kuten ruoste ja värimuutokset) ja vaahtomuoviosat eivät kuulu takuun piiriin.
- Tarkista [www.berg.com](http://www.berg.com) kattavat takuusäännökset.

## Takuuehdot

Tuotteen omistaja voi vaatia takuuta vain esittämällä alkuperäisen ostokuitin. Takuu koskee vain materiaali- ja rakennevikoja ja koskee tätä tuotetta tai sen osia..

Kehikko	10
Kehikko (rekisteröinnin jälkeen)	13
Osat ja lisävarusteet	3

*Takuu raukeaa, jos:*

- Tuotetta käytetään väärin ja/tai huolimattomasti.
- Tuote on haudattu väärin?
- Tuotetta ei ole koottu ja huollettu käyttöohjeen mukaisesti.
- Tuotteen teknisiä korjauksia ei suoriteta ammattimaisesti.
- Varaosat eivät vastaa kyseisen tuotteen teknisiä eritelmiä tai ne on asennettu väärin.
- Jälkeenpäin asennetut osat eivät vastaa kyseisen tuotteen teknisiä eritelmiä tai niitä ei ole asennettu oikein.
- Lisätyt osat tai vaihdetut osat eivät ole virallisia BERGIN varaosia tai tarvikkeita.
- Tuotetta on käytetty vuokratarkoituksiin tai se on annettu kolmannen osapuolen käyttöön.

# **MENNÄÄN!**



*www.berg.com*

BT24-04722 | Rev: 00

Place Batch Number Sticker Here